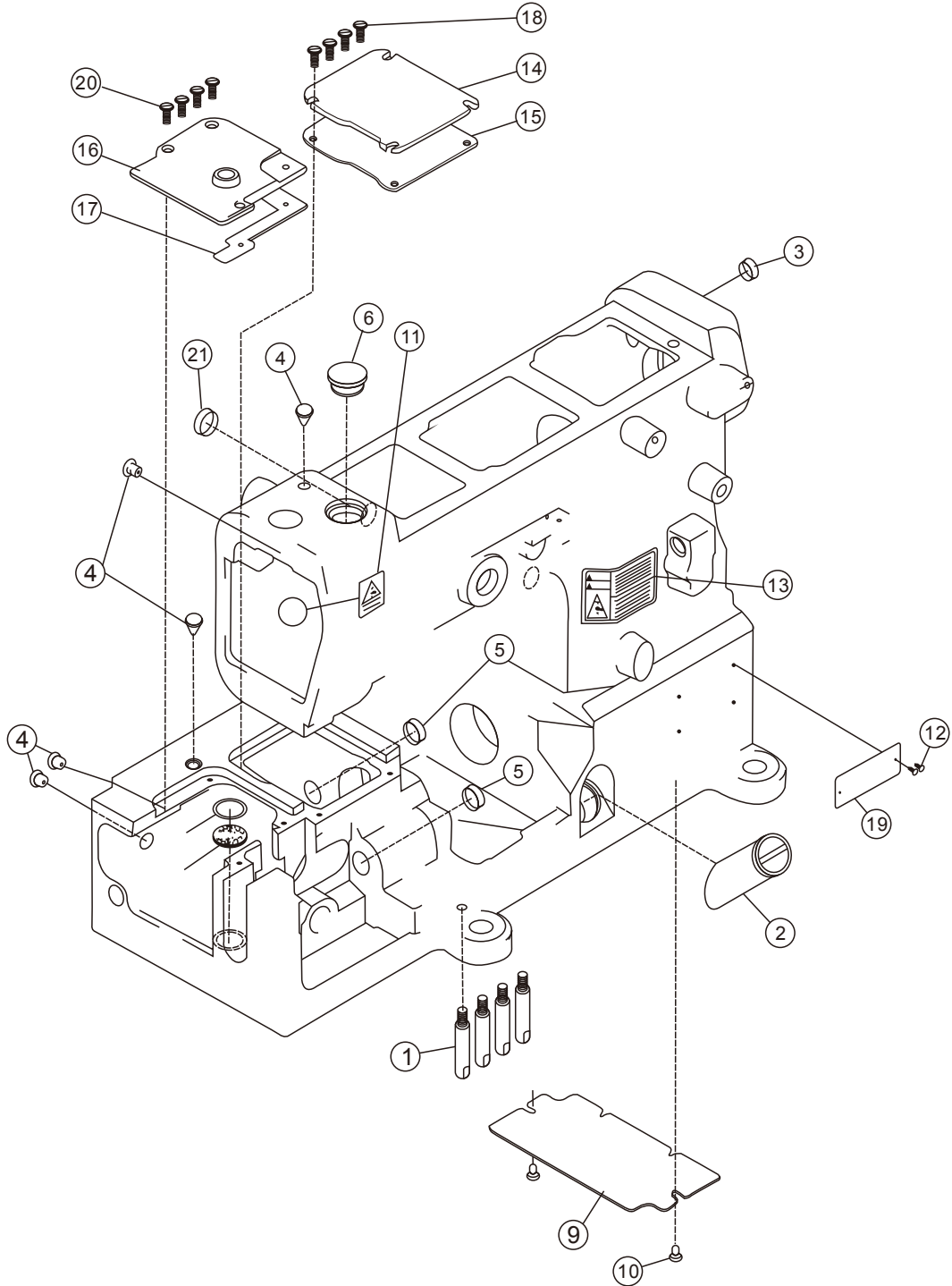


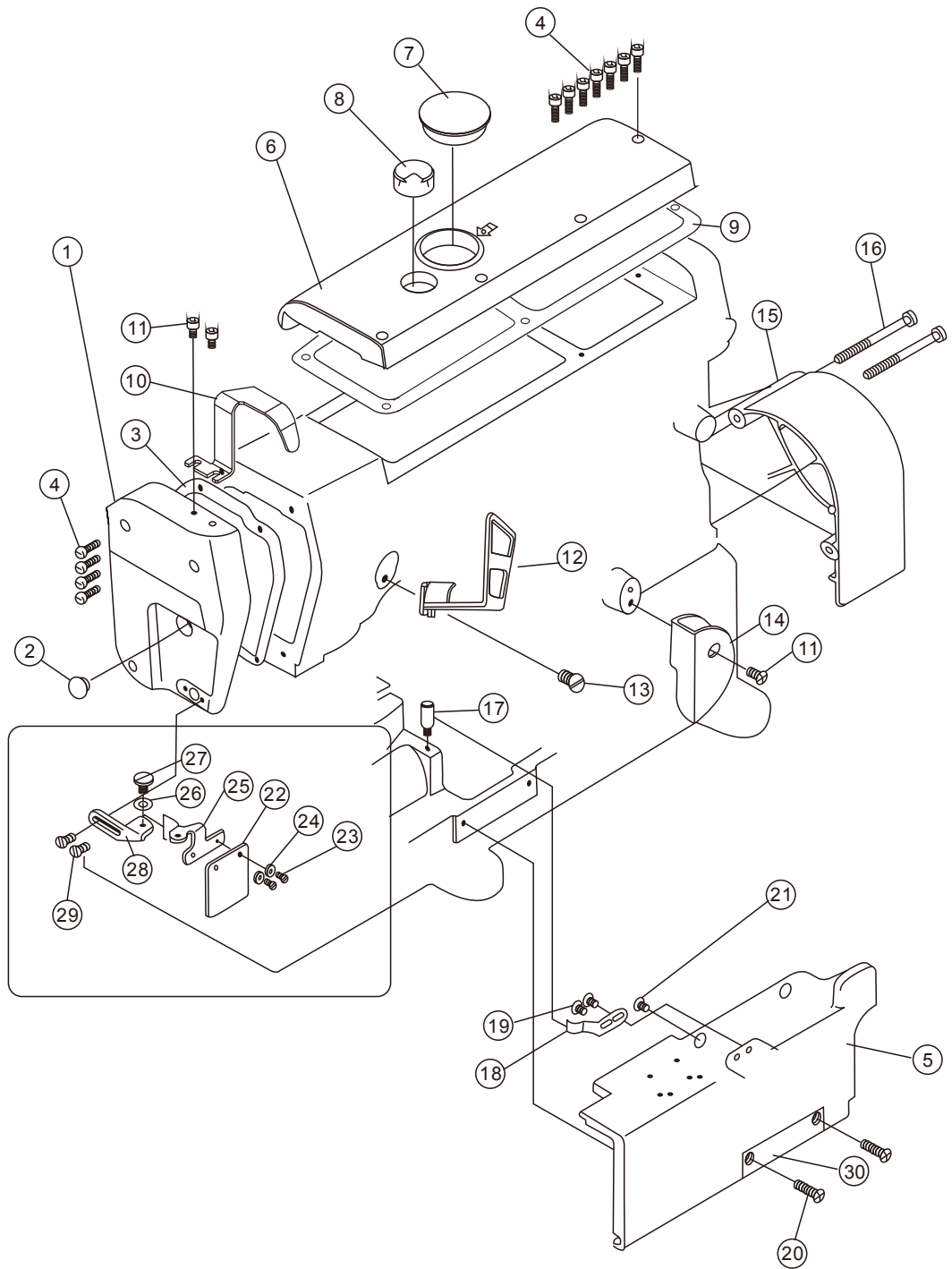
2.1 机壳结构 (A) MACHINE BED FRAME (A)



2.1 机壳结构(A) MACHINE BED FRAME(A)

| 序号 PEF NO | 件 号 PART NO | 名 称 | DESCRIPTION | 数量 QTY | |
|--------------|----------------|----------|--------------------------|--------|---------|
| | | | | 562A | 562A-BD |
| 1 | 10042368 | 机座螺钉 | BED PIN | 4 | 4 |
| 2 | 10042369 | 油量指示窗 | OIL LEVEL GAUGE | 1 | 1 |
| 3 | 10042370 | 抬压轴后油塞 | PLUG | 1 | 1 |
| 4 | 10042371 | 机头油塞 | PLUG | 4 | 4 |
| 5 | 10010782 | 橡胶塞 | PLUG | 2 | 2 |
| 6 | 10008964 | 橡胶塞 | PLUG | 1 | 1 |
| 7 | 10003330 | Φ18 挡圈 | RING | 3 | 3 |
| 8 | 10012087 | 滤油网 | FILTER | 3 | 3 |
| 9 | 10042376 | 底盖板 | COVER | 1 | 1 |
| 10 | 10042377 | 底盖板螺钉 | SCREW | 2 | 2 |
| 11 | 10043147 | 三角形标贴 | CAUTION LABEL | 1 | 1 |
| 12 | 10002840 | 2×5 铆钉 | PIN | 2 | 2 |
| 13 | 10008936 | 机头安全提示牌 | STICKER | 1 | 1 |
| 14 | 10042378 | 弯针传动盖板 | TOP COVETR PLATE (RIGHT) | 1 | 1 |
| 15 | 10042379 | 弯针传动盖板垫 | GASKET | 1 | 1 |
| 16 | 10042380 | 针距按钮盖 | TOP COVETR PLATE (LEFT) | 1 | 1 |
| 17 | 10042381 | 针距按钮盖密封垫 | GASKET | 1 | 1 |
| 18 | 10042382 | 弯针传动盖板螺钉 | SCREW | 4 | 4 |
| 19 | 10052657 | 型号牌☆ | MMODEL CARD☆ | 1 | 1 |
| 20 | 10042440 | 针距按钮盖螺钉 | SCREW | 4 | 4 |
| 21 | 10010931 | 油封 | OIL SEAL | 1 | 1 |

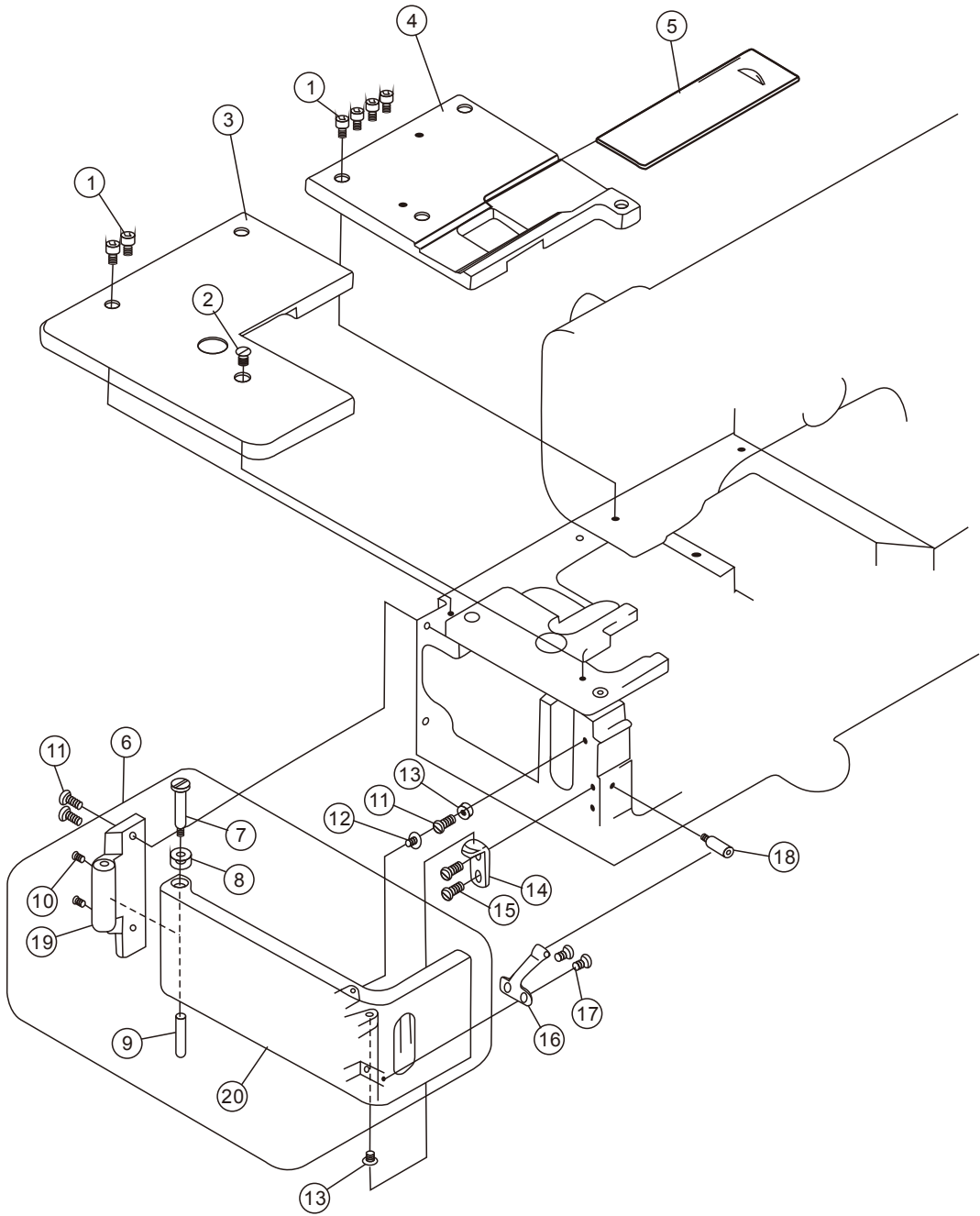
2.2 机壳结构 (B) MACHINE BED FRAME (B)



2.2 机壳结构(B) Machine Bed Frame(B)

| 序号 PEF NO | 件号 PART NO | 名称 | DESCRIPTION | 数量 QTY | |
|--------------|---------------|----------|---------------------------|--------|--------|
| | | | | 562A | 562A-D |
| 1 | 10042384 | 面板☆ | FACE PLATE☆ | 1 | 1 |
| 2 | 10013170 | 橡胶塞 | PLUG | 1 | 1 |
| 3 | 10042386 | 面板密封垫 | PANEL SEAL GASKET | 1 | 1 |
| 4 | 10042387 | 面板螺钉 | SCREW | 11 | 11 |
| 5 | 10052829 | 穿线罩板 * | FRONT COVER | 1 | 0 |
| 6 | 10042389 | 上盖板 | UPPER COVER PLATE | 1 | 1 |
| 7 | 10042390 | 上盖闷头 | PLUG | 1 | 1 |
| 8 | 10042391 | 喷油窗 | OIL SIGHT WINDOW | 1 | 1 |
| 9 | 10042392 | 上盖板垫 | SEAL | 1 | 1 |
| 10 | 10042393 | 挑线杆防护罩 | NEEDE BAR GUARD | 1 | 1 |
| 11 | 10011264 | 挑线杆防护罩螺钉 | SCREW | 3 | 3 |
| 12 | 10042395 | 过线防护罩 | BARCKET | 1 | 1 |
| 13 | 10004974 | 螺钉 | SCREW | 1 | 1 |
| 14 | 10042397 | 底过线导板 | LOOPER THREAD GUIDE COVER | 1 | 1 |
| 15 | 10042398 | 皮带罩☆ | PULLER COVER☆ | 1 | 1 |
| 16 | 10042399 | 皮带罩螺钉 | SCREW | 2 | 2 |
| 17 | 10042400 | 底线过线连接柱 | SCREW | 1 | 1 |
| 18 | 10042401 | 穿线罩弹簧 | FLAT SPRING | 1 | 1 |
| 19 | 10010837 | 螺钉 | SCREW | 2 | 2 |
| 20 | 10042403 | 穿线罩板铰链螺钉 | SCREW | 2 | 2 |
| 21 | 10042404 | 防震垫 | CUSHION | 1 | 1 |
| 22 | 10042405 | 防护罩 | EYE GUARD | 1 | 1 |
| 23 | 10042406 | 防护罩螺钉 | SCREW | 2 | 2 |
| 24 | 10042407 | 防护罩垫圈 | WASHER | 2 | 2 |
| 25 | 10042408 | 防护罩支架 | BRACKET | 1 | 1 |
| 26 | 10009470 | 垫圈 | WASHER | 1 | 1 |
| 27 | 10042410 | 螺钉 | SCREW | 1 | 1 |
| 28 | 10042411 | 防护罩座 | BRACKET | 1 | 1 |
| 29 | 10042412 | 螺钉 | SCREW | 2 | 2 |
| 30 | 10042415 | 穿线罩铰链 | COVER | 1 | 1 |

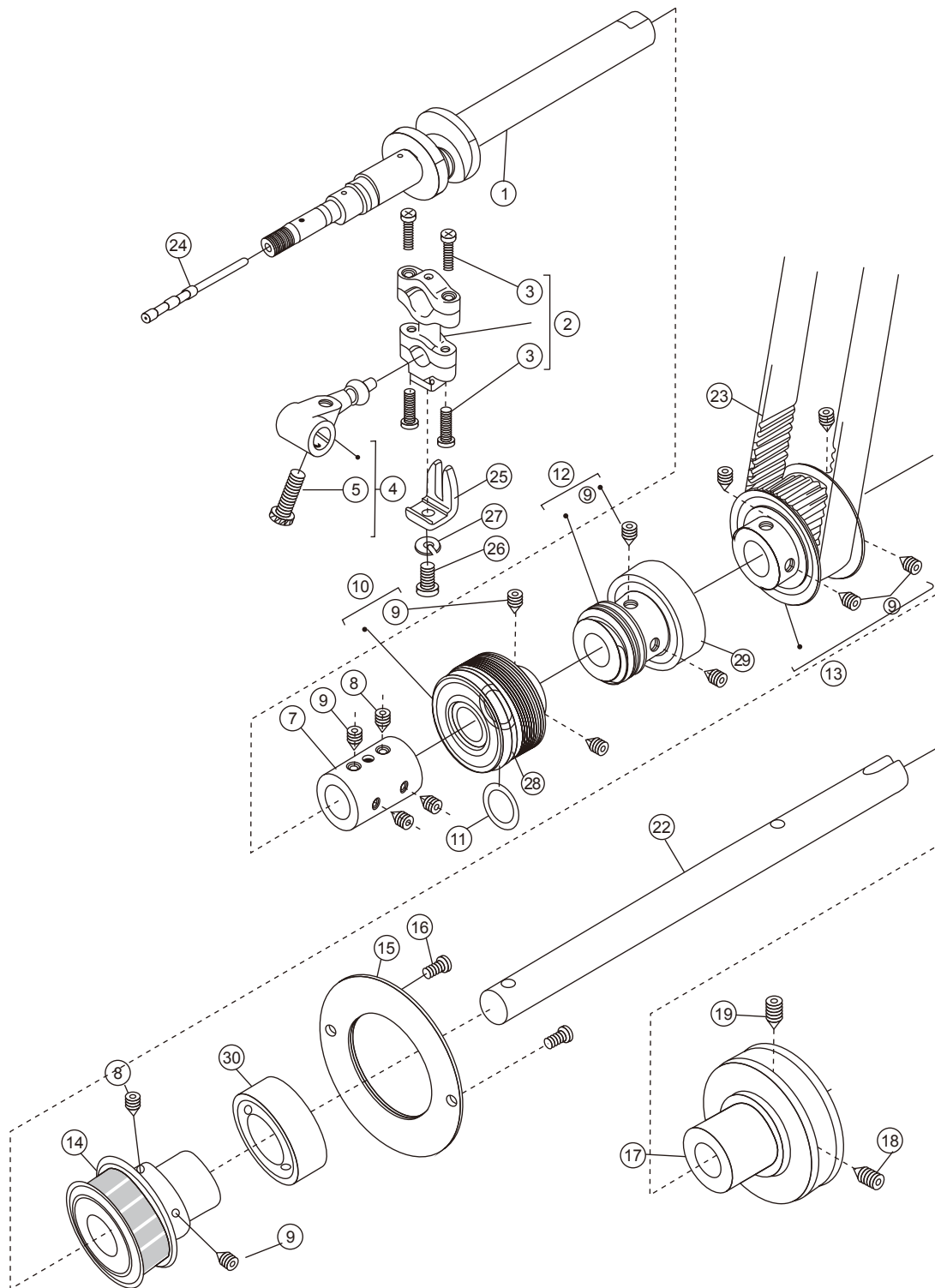
2.3 机壳结构(C) MACHINE BED FRAME (C)



2.3 机壳结构(C) MACHINE BED FRAME(C)

| 序号 PEF NO | 件号 PART NO | 名称 | DESCRIPTION | 数量 QTY | |
|--------------|---------------|----------|---------------------|--------|---------|
| | | | | 562A | 562A-BD |
| 1 | 10042387 | 螺钉 | SCREW | 6 | 6 |
| 2 | 10042420 | 缝台左罩定位螺钉 | SCREW | 1 | 1 |
| 3 | 10042421 | 缝台左罩 | BED COVER (LEFT) | 1 | 1 |
| 4 | 10042954 | 缝台右罩 | BED COVER (RIGHT) | 1 | 1 |
| 5 | 10042423 | 推板组件 | COVER | 1 | 1 |
| 6 | 10043224 | 左侧罩组件 | SUDE COVER ASSEMBLY | 1 | 1 |
| 7 | 10042427 | 螺钉 | SCREW | 1 | 1 |
| 8 | 10042419 | 垫圈 | SPRING | 4 | 4 |
| 9 | 10042428 | 左侧罩铰链销轴 | PIN | 1 | 1 |
| 10 | 10042429 | 铰链上头螺钉 | SCREW | 2 | 2 |
| 11 | 10042412 | 螺钉 | SCREW | 3 | 3 |
| 12 | 10042404 | 防震塞 | CUSHON | 2 | 2 |
| 13 | 10042424 | 螺母 | NUT | 1 | 1 |
| 14 | 10042425 | 防震板 | BRACKLT | 1 | 1 |
| 15 | 10011264 | 螺钉 | SCREW | 2 | 2 |
| 16 | 10042426 | 前罩板弹簧 | FALT SPRING | 1 | 1 |
| 17 | 10010837 | 螺钉 | SCREW | 2 | 2 |
| 18 | 10042400 | 螺钉 | SCREW | 1 | 1 |
| 19 | 10042430 | 左侧板铰链板 | LINK COVER | 1 | 1 |
| 20 | 10042431 | 左罩板 | COVER (LEFT) | 1 | 1 |

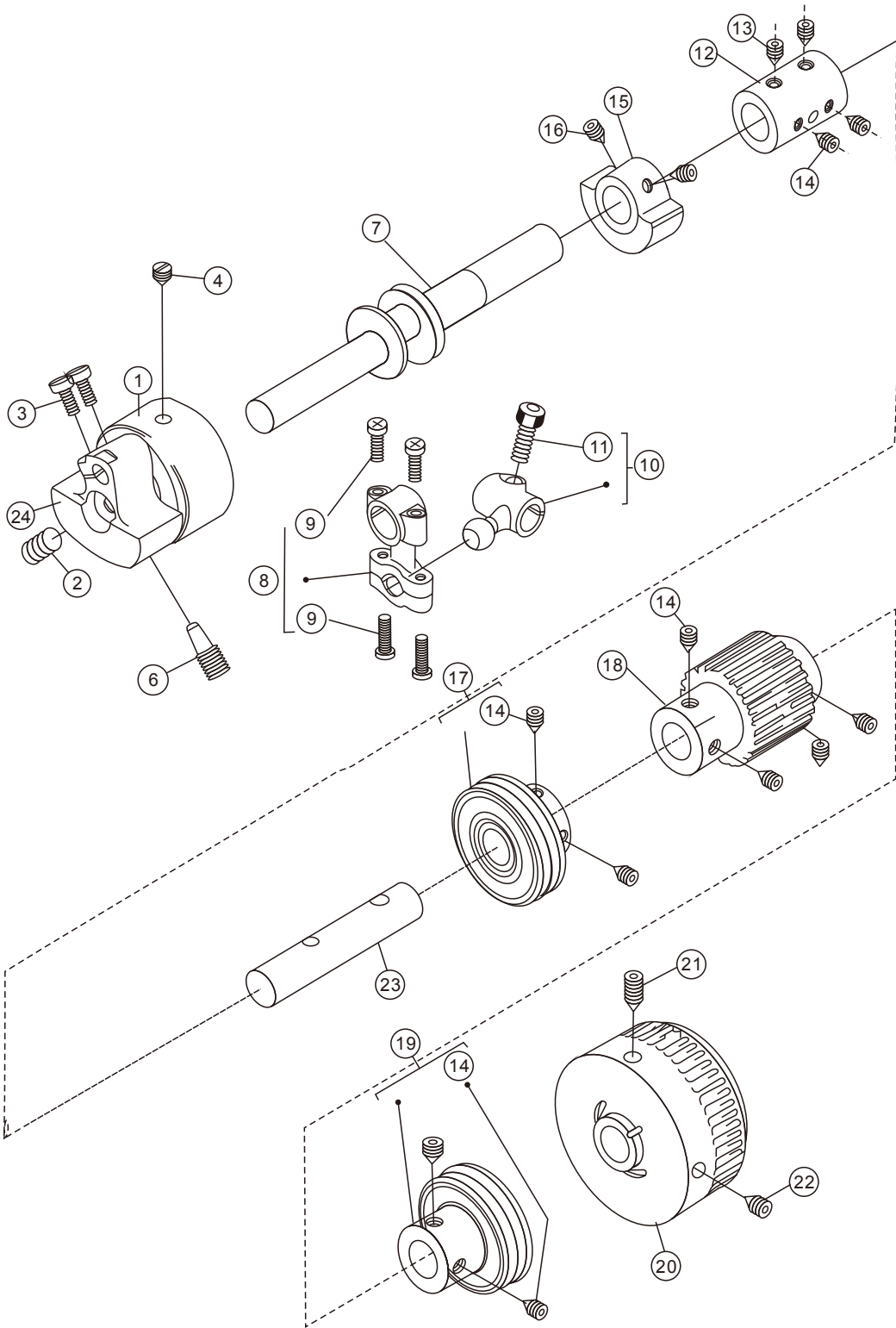
2.4 下轴传动机构 CRANK SHAFT DRIVE MECHANISM



2.4 下轴传动机构 CRANK SHAFT DRIVE MECHANISM

| 序号 PEF NO | 件号 PART NO | 名称 | DESCRIPTION | 数量 QTY | |
|--------------|---------------|------------|----------------------|--------|---------|
| | | | | 562A | 562A-BD |
| 1 | 10042432 | 下轴前节轴 | CRANK SHAFT ASSEMBLY | 1 | 1 |
| 2 | 10042454 | 弯针连杆组件 | CONNECTION ASSEMBLY | 1 | 1 |
| 3 | 10042387 | 螺钉 | SCREW | 8 | 8 |
| 4 | 10042433 | 球曲柄 | CRANK) | 1 | 1 |
| 5 | 10042434 | 螺钉 | SCREW | 1 | 1 |
| 6 | | | | | |
| 7 | 10042436 | 联轴器 | JOINT | 1 | 1 |
| 8 | 10042437 | 螺钉 | SCREW | 2 | 2 |
| 9 | 10042438 | 螺钉 | SCREW | 12 | 12 |
| 10 | 10042455 | 下轴中衬套 | BUSHING | 1 | 1 |
| 11 | 10053064 | O型圈 | O RING | 1 | 1 |
| 12 | 10042459 | 油泵涡轮 | BUSHING | 1 | 1 |
| 13 | 10042910 | 主动同步带轮组件 | GEAR | 1 | 1 |
| 14 | 10042909 | 打线主动同步带轮组件 | GEAR | 1 | 1 |
| 15 | 10042439 | 压紧圈 | COVER | 1 | 0 |
| 16 | 10042440 | 压紧圈螺钉 | SCREW | 2 | 0 |
| 17 | 10042441 | 皮带轮 | SCREW | 1 | 0 |
| 18 | 10042442 | 螺钉 | SCREW | 1 | 0 |
| 19 | 10042443 | 螺钉 | SCREW | 1 | 0 |
| 20 | | | | | |
| 21 | | | | | |
| 22 | 10043209 | 下轴后节 | SHAFT | 1 | 0 |
| 23 | 10050281 | 同步带 | TIMING BELT | 1 | 1 |
| 24 | 10042448 | 下轴油量调节芯针 | ADJUSTING BAR | 1 | 1 |
| 25 | 10042449 | 叉口 | GUIDE | 1 | 1 |
| 26 | 10042450 | 叉口螺钉 | SCREW | 1 | 1 |
| 27 | 10042451 | 开口垫圈 | WASHER | 1 | 1 |
| 28 | 10047363 | 轴承O型圈组件 | BEARING | 1 | 1 |
| 29 | 10047364 | 轴承O型圈组件 | BEARING | 1 | 1 |
| 30 | 10042466 | 轴承 | BEARING | 1 | 1 |

2.5 上轴传动机构 ARM SHAFT DRIVE MECHANISM

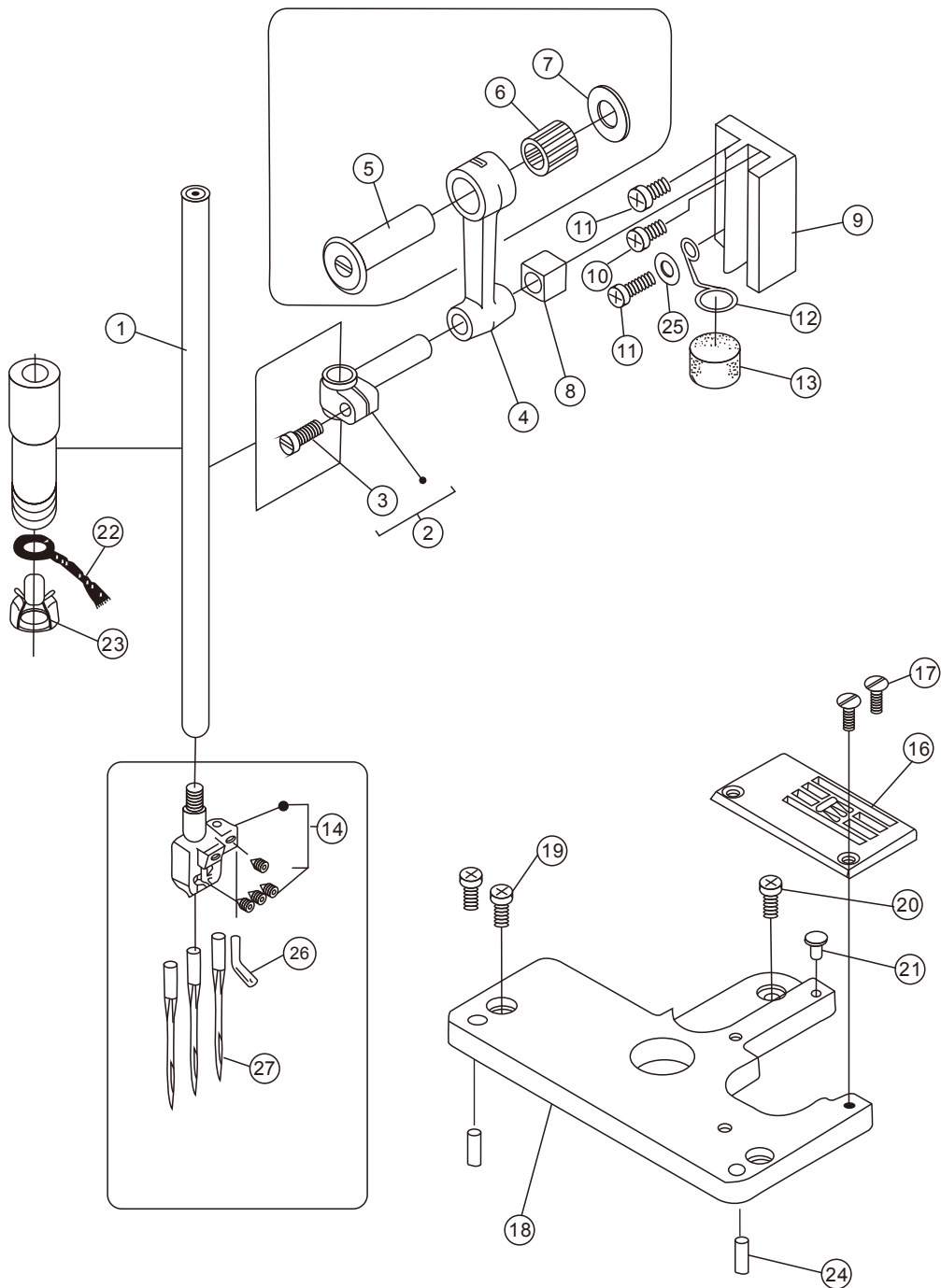


2.5 上轴传动机构 ARM SHAFT DRIVE MECHANISM

| 序号 PEF NO | 件号 PART NO | 名称 | DESCRIPTION | 数量QTY | |
|--------------|---------------|----------|---------------------|-------|---------|
| | | | | 562A | 562A-BD |
| 1 | 10051893 | 针杆曲柄轴承组 | MOTION ASSEMBLY | 1 | 1 |
| 2 | 10042480 | 针杆曲柄紧固螺钉 | SCREW | 1 | 1 |
| 3 | 10042481 | 针杆曲柄夹紧螺钉 | SCREW | 2 | 2 |
| 4 | 10005196 | 定位螺钉 | SCREW | 1 | 1 |
| 6 | 10042470 | 长锥定位螺钉 | SCREW | 1 | 1 |
| 7 | 10042471 | 上轴前节曲轴 | CRANK SHAFT | 1 | 1 |
| 8 | 10042484 | 上线挑线连杆 | CONNECTION ASSEMBLY | 1 | 1 |
| 9 | 10042387 | 螺钉 | SCREW | 4 | 4 |
| 10 | 10042472 | 上挑线球曲柄 | BALL CRANK | 1 | 1 |
| 11 | 10042434 | 球曲柄螺钉 | SCREW | 1 | 1 |
| 12 | 10042436 | 联轴器 | JOINT | 1 | 1 |
| 13 | 10042437 | 联轴器定位螺钉 | SCREW | 1 | 1 |
| 14 | 10042438 | 螺钉 | SCREW | 10 | 10 |
| 15 | 10042473 | 上轴平衡块 | BALANCE WEIGHT | 1 | 1 |
| 16 | 10042511 | 螺钉 | SCREW | 2 | 2 |
| 17 | 20014769 | 上轴前衬套轴承组 | BUSHING | 1 | 1 |
| 18 | 10042475 | 从动时规轮 | GEAR(UPPER) | 1 | 1 |
| 19 | 20014770 | 后衬套组件 | BUSHING | 1 | 1 |
| 20 | 10042476 | 手轮★ | HAND WHEEL | 1 | 1 |
| 21 | 10042442 | 螺钉 | SCREW | 1 | 1 |
| 22 | 10042443 | 螺钉 | SCREW | 1 | 1 |
| 23 | 10042474 | 上轴后节 | SHAFT | 1 | 1 |
| 24 | 10042479 | 针杆曲柄 | NEEDLE BAR CRANK | 1 | 1 |

2.6 针杆结构

NEEDLE BAR MECHANISM



2.6 针杆机构 NEEDLE BAR DRIVEMECHANISM

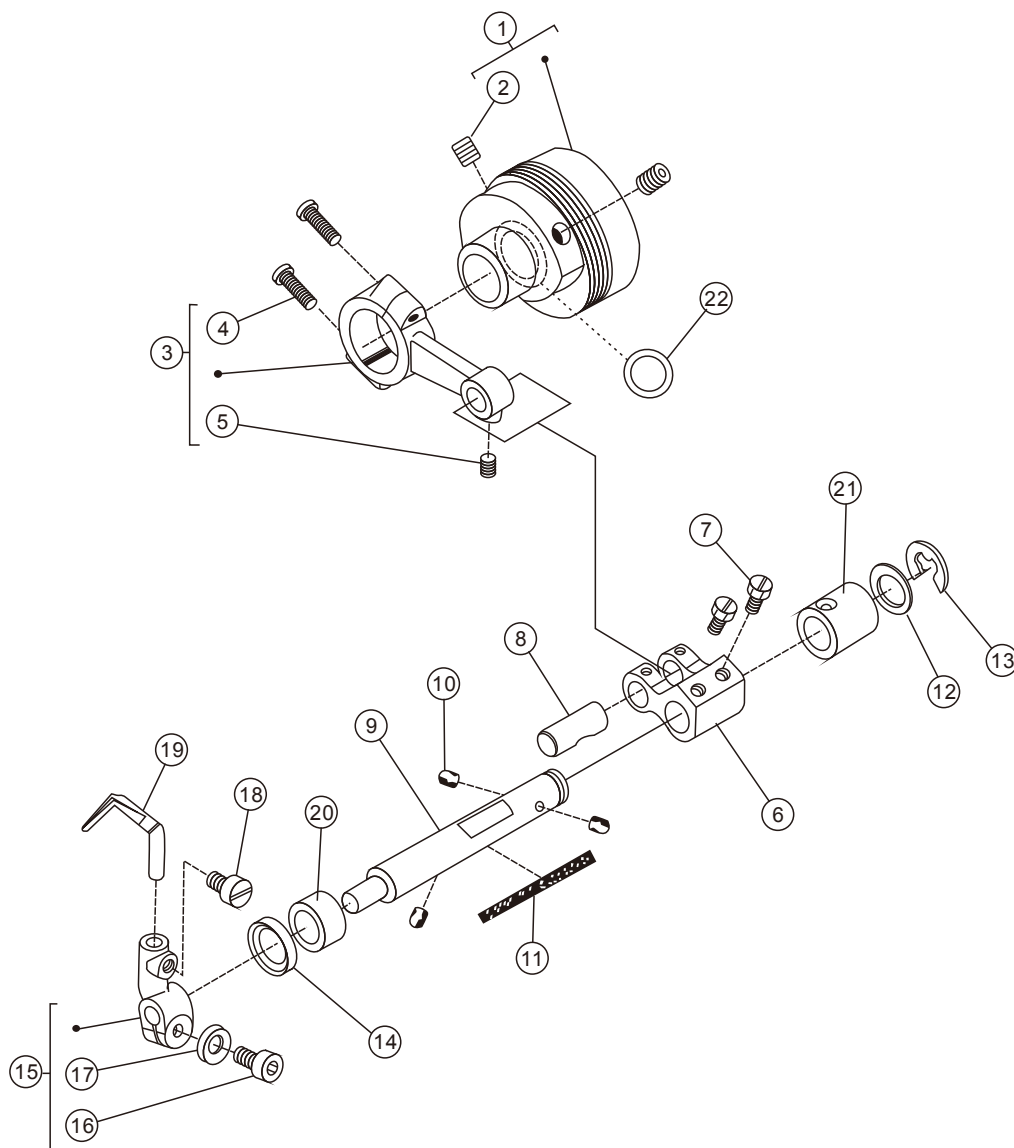
| 序号 PEF NO | 件号 PART NO | 名称 | DESCRIPTION | 数量QTY | |
|--------------|---------------|----------------|-------------------------|-------|---------|
| | | | | 562A | 562A-BD |
| 1 | 10042487 | 针杆 | NEEDLE BAR | 1 | 1 |
| 2 | 10042488 | 针杆接头 | NEEDLE BAR CLAMP | 1 | 1 |
| 3 | 10042489 | 针杆接头螺钉 | SCREW | 1 | 1 |
| 4 | 10042490 | 针杆连杆 | NEEDLE BAR DRIVING LINK | 1 | 1 |
| 5 | 10042491 | 针杆连杆销 | PIN | 1 | 1 |
| 6 | 10048172 | 滚针轴承 | NEEDLE BEARING | 1 | 1 |
| 7 | 10042493 | 垫圈 | WASHER | 1 | 1 |
| 8 | 10042494 | 针杆滑块 | BLOCK | 1 | 1 |
| 9 | 10042495 | 针杆滑块座 | NEEDLE BAR BLOCK GUIDE | 1 | 1 |
| 10 | 10012752 | 螺钉 | SCREW | 1 | 1 |
| 11 | 10003102 | 针杆滑块座螺钉 | SCREW | 2 | 2 |
| 12 | 10042497 | 油毡定位圈 | LATCH | 1 | 1 |
| 13 | 10042498 | 油毡 | SPONGE | 1 | 1 |
| 14 | * | 针夹螺钉组件 | NEEDLE HOLDER | 1 | 1 |
| 16 | * | 针板 | NEEDLE PLATE | 1 | 1 |
| 17 | 10042502 | 针板螺钉 | SCREW | 2 | 2 |
| 18 | 10042503 | 针板接板 | BRACKET | 1 | 1 |
| 19 | 10011264 | 螺钉 | SCREW | 2 | 2 |
| 20 | 10042440 | 螺钉 | SCREW | 1 | 1 |
| 21 | 10042504 | 防震塞 | CUSHION RUBBER | 1 | 1 |
| 22 | 10008069 | 油线 | OIL WICK | 1 | 1 |
| 23 | 10042506 | 针杆上套油线夹头 | OIL WICK RETAINER | 1 | 1 |
| 24 | 10042509 | 针板接板定位销 | PIN | 2 | 2 |
| 25 | 10002954 | 垫圈 | RING | 1 | 1 |
| 26 | 10042291 | 过线杆 | THREAD GUIDE | 1 | 1 |
| 27 | 10004902 | UY128GBS 11#机针 | NEEDLE | 3 | 3 |

“*” 具体内容看专用件

Part number for “*”

Please refer the '2.23. Gauge Parts list'

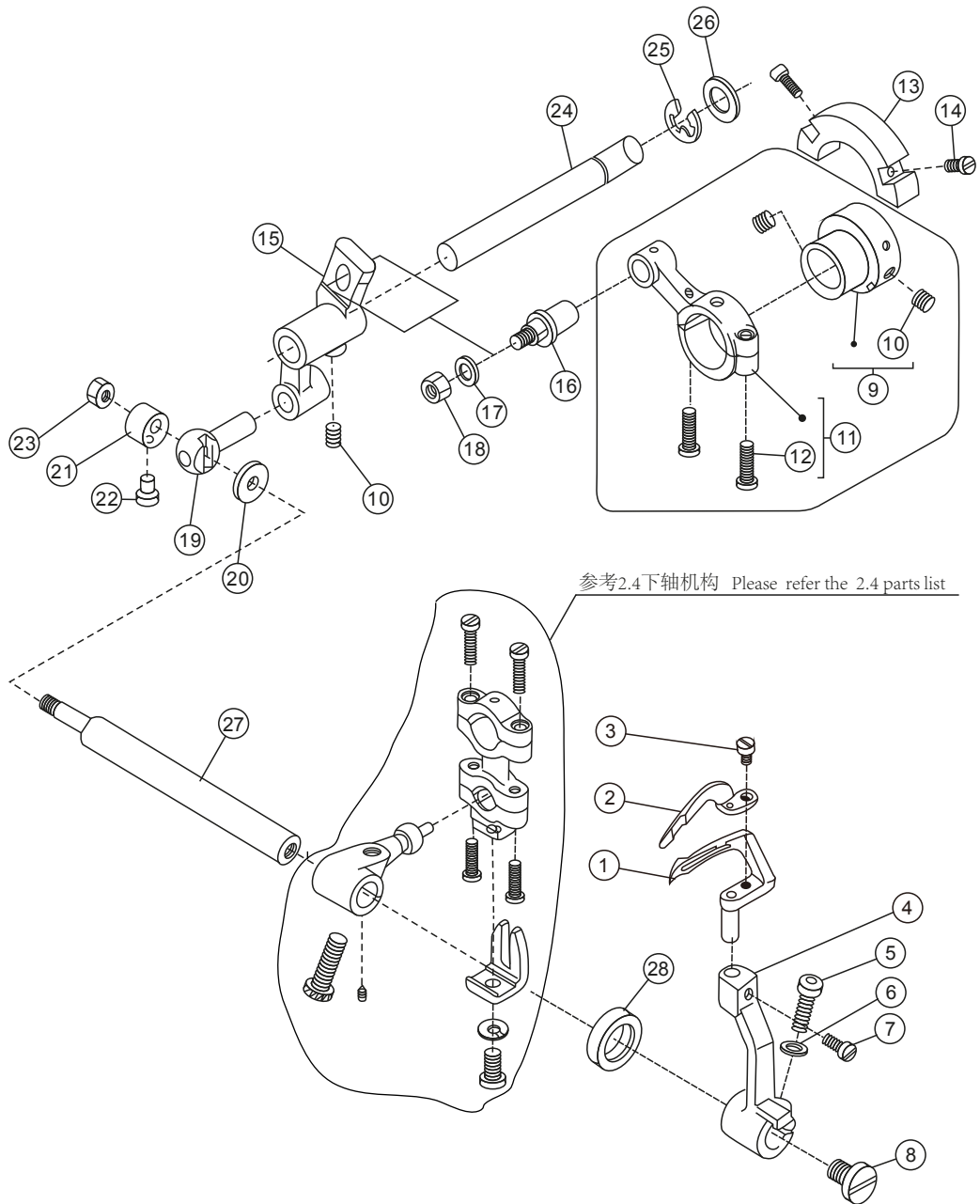
2.7 保针机构 NEEDLE GUARD MECHANISM



2.7 保针机构 NEEDLE GURAD MECHANISM

| 序号 PEF NO | 件号 PART NO | 名称 | DESCRIPTION | 数量 QTY | |
|--------------|---------------|------------|---------------------|--------|---------|
| | | | | 562A | 562A-BD |
| 1 | 10042527 | 下轴前衬套 | ECCENTRIC ASSEMBLY | 1 | 1 |
| 2 | 10042511 | 下轴前衬套螺钉 | SCREW | 2 | 2 |
| 3 | 10042528 | 保针连杆组件 | CONNECTION ASSEMBLY | 1 | 1 |
| 4 | 10042387 | 螺钉 | SCREW | 2 | 2 |
| 5 | 10042429 | 螺钉 | SCREW | 1 | 1 |
| 6 | 10042512 | 保针曲柄 | CRANK | 1 | 1 |
| 7 | 10042513 | 保针曲柄螺钉 | SCREW | 2 | 2 |
| 8 | 10042514 | 保针曲柄销 | PIN | 1 | 1 |
| 9 | 10042515 | 保针轴 | SHAFT | 1 | 1 |
| 10 | 10008090 | 油线 | OIL WICK | 1 | 1 |
| 11 | 10008088 | 油线 | OIL WICK | 1 | 1 |
| 12 | 10042518 | 保针轴垫圈 | WASHER | 1 | 1 |
| 13 | 10050347 | 挡圈 | RING | 1 | 1 |
| 14 | 10042520 | 保针轴骨架防油圈 | OIL SEAL | 1 | 1 |
| 15 | 10042521 | 保针座 | NEEDLE GUIDE HOLDER | 1 | 1 |
| 16 | 10042445 | 螺钉 | SCREW | 1 | 1 |
| 17 | 10009429 | 垫圈 | WASHER | 1 | 1 |
| 18 | 10042523 | 螺钉 | SCREW | 1 | 1 |
| 19 | 10043132 | 后保针 | NEEDLE GUIDE (REAR) | 2 | 2 |
| 20 | 10042525 | 保针轴左套 | BUSHING (LEFT) | 1 | 1 |
| 21 | 10042526 | 保针轴右套 | BUSHING (RIGHT) | 1 | 1 |
| 22 | 10042456 | 下轴前衬套 O 型圈 | O RING | 1 | 1 |

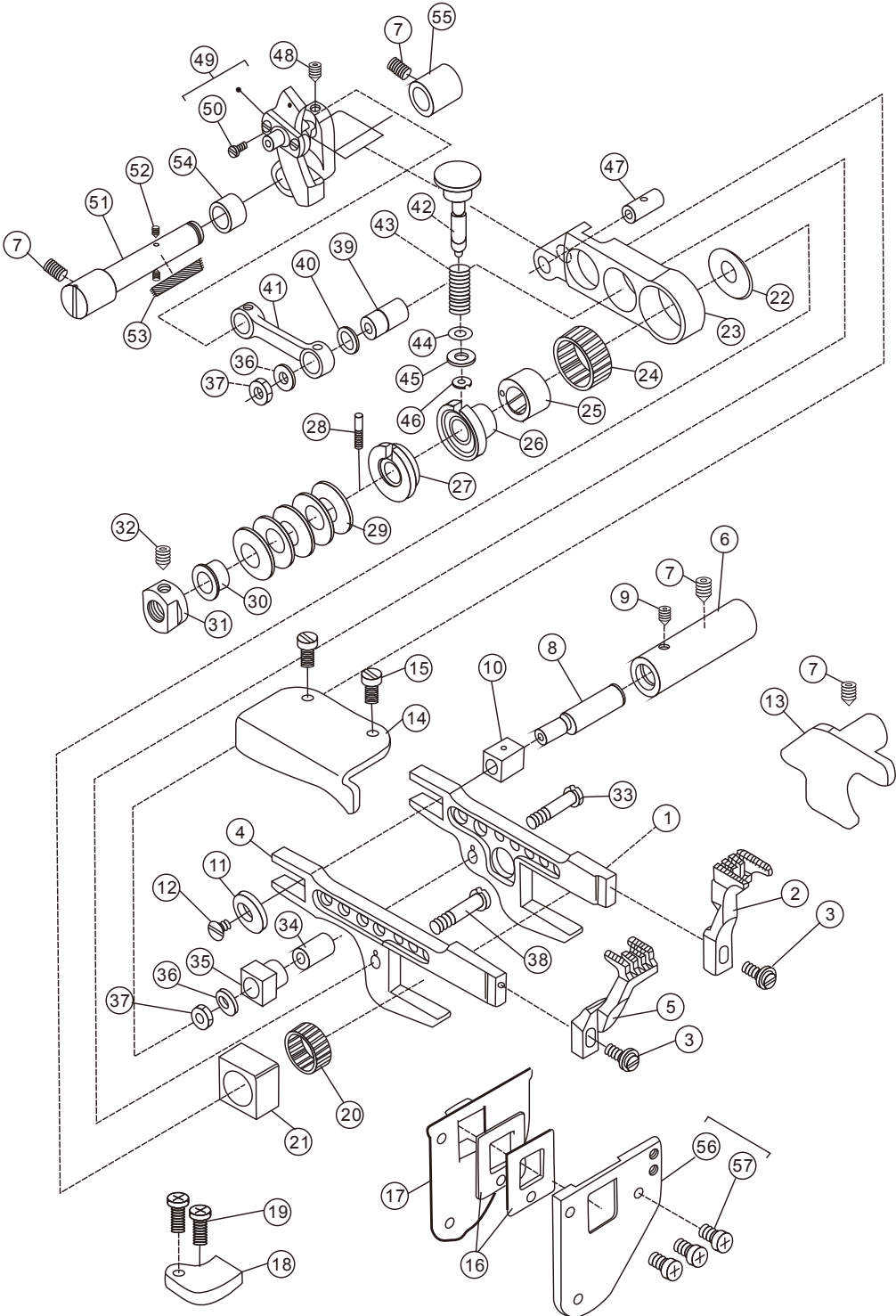
2.8 弯针机构 LOOPER DRIVE MECHANISM



2.8 弯针机构 LOOPER DRIVE MECHANISM

| 序号 PEF NO | 件号 PART NO | 名称 | DESCRIPTION | 数量 QTY | |
|--------------|---------------|----------|------------------------|--------|---------|
| | | | | 562A | 562A-BD |
| 1 | 10043134 | 弯针 | LOOPER | 1 | 1 |
| 2 | 10043135 | 前保针 | NEEDLE(FRONT) | 1 | 1 |
| 3 | 10042524 | 螺钉 | SCREW | 1 | 1 |
| 4 | 10042529 | 弯针曲柄 | LOOPER HOLDER ASSEMBLY | 1 | 1 |
| 5 | 10042478 | 螺钉 | SCREW | 1 | 1 |
| 6 | 10009429 | 垫圈 | WASHER | 1 | 1 |
| 7 | 10012032 | 螺钉 | SCREW | 1 | 1 |
| 8 | 10042531 | 弯针曲柄调节螺钉 | SCREW | 1 | 1 |
| 9 | 10042534 | 偏心凸轮 | ECCENTRIC ASSEMBLY | 1 | 1 |
| 10 | 10042511 | 螺钉 | SCREW | 3 | 3 |
| 11 | 10042548 | 弯针连杆组件 | CONNECTION ASSEMBLY | 1 | 1 |
| 12 | 10042387 | 螺钉 | SCREW | 2 | 2 |
| 13 | 10042535 | 平衡块 | BALANCE WEIGHT | 1 | 1 |
| 14 | 10042536 | 螺钉 | SCREW | 2 | 2 |
| 15 | 10042537 | 弯针调节摆杆 | CRANK | 1 | 1 |
| 16 | 10042538 | 弯针调节柱 | SCREW | 1 | 1 |
| 17 | 10042234 | 垫圈 | WASHER | 1 | 1 |
| 18 | 10042540 | 螺母 | NUT | 1 | 1 |
| 19 | 10042541 | 弯针防止挡接头 | BLOCK PIN | 1 | 1 |
| 20 | 10042542 | 垫圈 | WASHER | 1 | 1 |
| 21 | 10042543 | 偏心紧圈 | COLLAR | 1 | 1 |
| 22 | 10042513 | 螺钉 | SCREW | 1 | 1 |
| 23 | 10042544 | 螺母 | NUT | 1 | 1 |
| 24 | 10042545 | 弯针调节摆轴 | SHAFT | 1 | 1 |
| 25 | 10050347 | 挡圈 | RING | 1 | 1 |
| 26 | 10042518 | 垫圈 | WASHER | 1 | 1 |
| 27 | 10042533 | 弯针轴 | SHAFT | 1 | 1 |
| 28 | 10009399 | 油封 | OIL SEAL | 1 | 1 |

2.9 送布机构 FEED MECHANISM



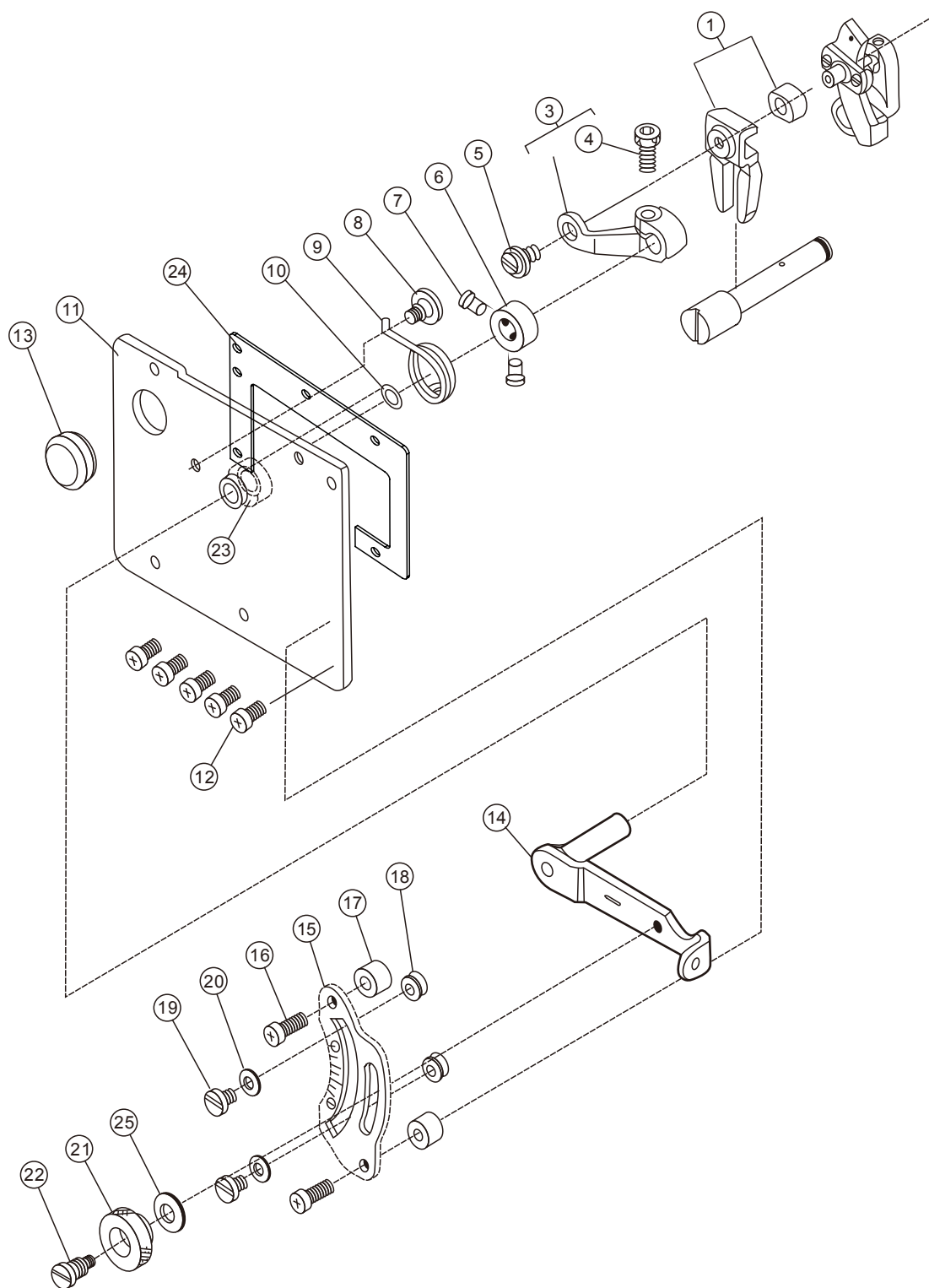
2.9 送布机构 FEED MECHANISM

| 序号 PEF NO | 件号 PART NO | 名称 | DESCRIPTION | 数量 QTY | |
|--------------|---------------|----------|-----------------------|--------|---------|
| | | | | 562A | 562A-BD |
| 1 | 10042549 | 送料牙架 | MAIN FEED BAR | 1 | 1 |
| 2 | * | 主送布牙 | MAIN FEED DOG | 1 | 1 |
| 3 | 10042551 | 螺钉 | SCREW | 2 | 2 |
| 4 | 10042552 | 差动牙架 | DIFFERENTIAL FEED BAR | 1 | 1 |
| 5 | * | 差动送布牙 | DIFFERENTIAL FEED DOG | 1 | 1 |
| 6 | 10042554 | 偏心轴套 | BUSHING | 1 | 1 |
| 7 | 10042511 | 螺钉 | SCREW | 4 | 4 |
| 8 | 10042555 | 牙架偏心轴 | ECCENTRIC PIN | 1 | 1 |
| 9 | 10042556 | 偏心轴套螺钉 | SCREW | 1 | 1 |
| 10 | 10009633 | 滑块 | GUIDE BLOCK | 1 | 1 |
| 11 | 10042558 | 偏心垫片 | WASHER | 1 | 1 |
| 12 | 10042559 | 偏心轴螺钉 | SCREW | 1 | 1 |
| 13 | 10042560 | 牙架右限位板 | RIGHT POSITION PLATE | 1 | 1 |
| 14 | 10042561 | 牙架上限位板 | UPPER POSITION PLATE | 1 | 1 |
| 15 | 10042440 | 螺钉 | SCREW | 2 | 2 |
| 16 | 10042563 | 胶垫片 | OIL SGIELD | 1 | 1 |
| 17 | 10042564 | 垫板 | COVER | 1 | 1 |
| 18 | 10042565 | 左限位板 | LEFT POSITION PLATE | 1 | 1 |
| 19 | 10042412 | 螺钉 | SCREW | 2 | 2 |
| 20 | 10047403 | 滚针轴承 | NEEDLE BEARING | 1 | 1 |
| 21 | 10042567 | 牙架前滑块 | BLOCK | 1 | 1 |
| 22 | 10042568 | 凸轮送布连杆垫圈 | WASHER | 1 | 1 |
| 23 | 10042569 | 送布连杆 | MAIN FEED LINK | 1 | 1 |
| 24 | 10048638 | 滚针轴承 | NEEDLE BEARING | 1 | 1 |
| 25 | 10042571 | 凸轮 | ECCENTRIC | 1 | 1 |
| 26 | 10042572 | 送布调节凸轮 | REGULATOR | 1 | 1 |
| 27 | 10050150 | 针距调套 | ECCENTRIC RETAINER | 1 | 1 |
| 28 | 10043138 | 销螺钉 | SCREW | 1 | 1 |
| 29 | 10042574 | 碟形弹簧圈 | SPRING | 6 | 6 |
| 30 | 10042575 | 台阶套 | SPACER | 1 | 1 |
| 31 | 10042576 | 螺母 | NUT | 1 | 1 |
| 32 | 10012014 | 台阶套紧定螺钉 | SCREW | 1 | 1 |
| 33 | 10042577 | 送布滑块连接螺钉 | SCREW | 1 | 1 |
| 34 | 10042578 | 送布滑块套 | BUSHING | 1 | 1 |
| 35 | 10042579 | 送布滑块 | GUIDE BLOCK | 1 | 1 |

2.9 送布机构 FEED MECHANISM

| 序号 PEF NO | 件号 PART NO | 名称 | DESCRIPTION | 数量 QTY | |
|--------------|---------------|-----------|-----------------------|--------|---------|
| | | | | 562A | 562A-BD |
| 36 | 10042580 | 垫片 | WASHER | 2 | 2 |
| 37 | 10042581 | 螺母 | NUT | 2 | 2 |
| 38 | 10042582 | 连接螺钉 | SCREW | 1 | 1 |
| 39 | 10042583 | 送布连杆销套 | BUSHING | 1 | 1 |
| 40 | 10042584 | 开口挡圈 | RING | 1 | 1 |
| 41 | 10042585 | 差动送布连杆 | DIFFERENTIC FEED LINK | 1 | 1 |
| 42 | 10042586 | 针距按钮 | PIN | 1 | 1 |
| 43 | 10042587 | 针距按钮簧 | SPRING | 1 | 1 |
| 44 | 10042588 | 针距按钮 O 型圈 | O RING | 1 | 1 |
| 45 | 10013509 | 垫圈 | WASHER | 1 | 1 |
| 46 | 10009669 | 开口挡圈 | RING | 1 | 1 |
| 47 | 10042590 | 送布连杆销 | RING | 1 | 1 |
| 48 | 10042591 | 差动器紧定螺钉 | SCREW | 1 | 1 |
| 49 | 10042598 | 差动器组件 | CRANK | 1 | 1 |
| 50 | 10042524 | 差动器螺钉 | SCREW | 1 | 1 |
| 51 | 10042592 | 差动器轴 | SHAFT | 1 | 1 |
| 52 | 10008090 | 油线 | OIL WICK | 1 | 1 |
| 53 | 10008090 | 油线 | OIL WICK | 1 | 1 |
| 54 | 10042595 | 差动器隔套 | SPACER | 1 | 1 |
| 55 | 10042596 | 差动器轴套 | BUSHING | 1 | 1 |
| 56 | 10042597 | 弯针盖 | BRACKET | 1 | 1 |
| 57 | 10011264 | 螺钉 | SCREW | 3 | 3 |

2.10 差动调节机构 DIFFERENTIAL FEED MECHANISM



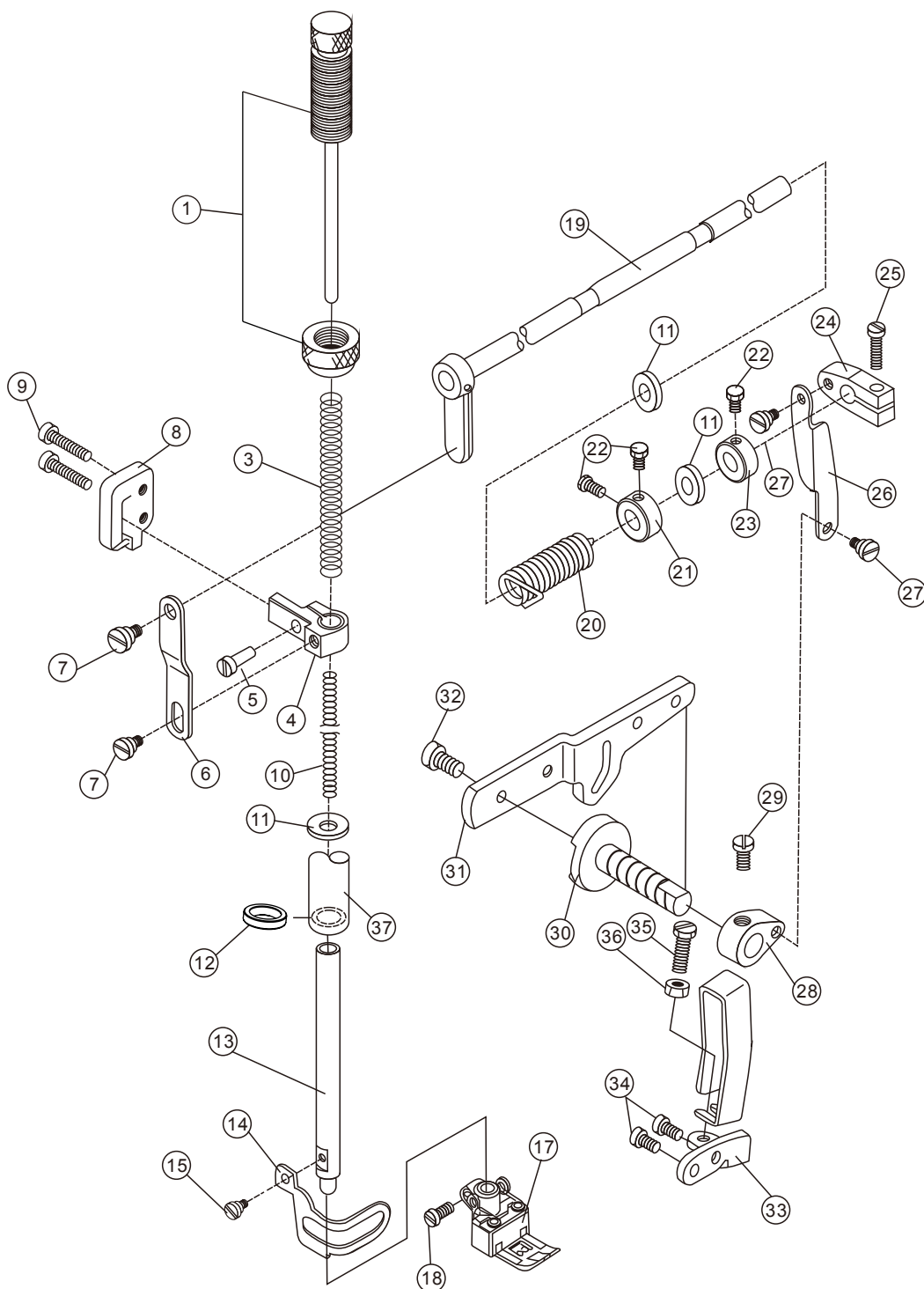
2.10 差动调节机构 DIFFERENTIAL FEED MECHANISM

| 序号 PEF NO | 件号 PART NO | 名称 | DESCRIPTION | 数量QTY | |
|--------------|---------------|-----------|----------------|-------|---------|
| | | | | 562A | 562A-BD |
| 1 | 10050801 | 差动器吊板滑块组件 | GUIDE BLOCK | 1 | 1 |
| 3 | 10042159 | 差动调节曲柄 | LEVER | 1 | 1 |
| 4 | 10042160 | 差动调节曲柄螺钉 | SCREW | 1 | 1 |
| 5 | 10042161 | 差动调节吊板螺钉 | SCREW | 1 | 1 |
| 6 | 10042162 | 差动扳手紧圈 | COLLAR | 1 | 1 |
| 7 | 10043440 | 螺钉 | SCREW | 2 | 2 |
| 8 | 10042410 | 螺钉 | SCREW | 1 | 1 |
| 9 | 10042164 | 差动调节复位弹簧 | SPRING | 1 | 1 |
| 10 | 10042165 | O型圈 | O RING | 1 | 1 |
| 11 | 10042178 | 主板 | BRACKET | 1 | 1 |
| 12 | 10011264 | 螺钉 | SCREW | 5 | 5 |
| 13 | 10042166 | 闷头 | PLUG | 1 | 1 |
| 14 | 10042167 | 差动扳手 | LEVER ASSEMBLY | 1 | 1 |
| 15 | 10042468 | 差动刻度板 | SCALE PLATE | 1 | 1 |
| 16 | 10042387 | 螺钉 | SCREW | 2 | 2 |
| 17 | 10042169 | 刻度板隔套 | SPACER | 2 | 2 |
| 18 | 10042170 | 螺母 | NUT | 2 | 2 |
| 19 | 10042171 | 刻度板固定螺钉 | SCREW | 2 | 2 |
| 20 | 10042176 | 垫圈 | WASHER | 2 | 2 |
| 21 | 10042172 | 孔刻度板螺母 | NUT | 1 | 1 |
| 22 | 10042173 | 螺钉 | SCREW | 1 | 1 |
| 23 | 10042179 | 衬套 | BUSHING | 1 | 1 |
| 24 | 10042175 | 主板密封垫 | GASKET | 1 | 1 |
| 25 | 10042174 | 刻度盘垫片 | WASHER | 1 | 1 |

2.11 压脚结构

PRESSER FOOT MECHANISM

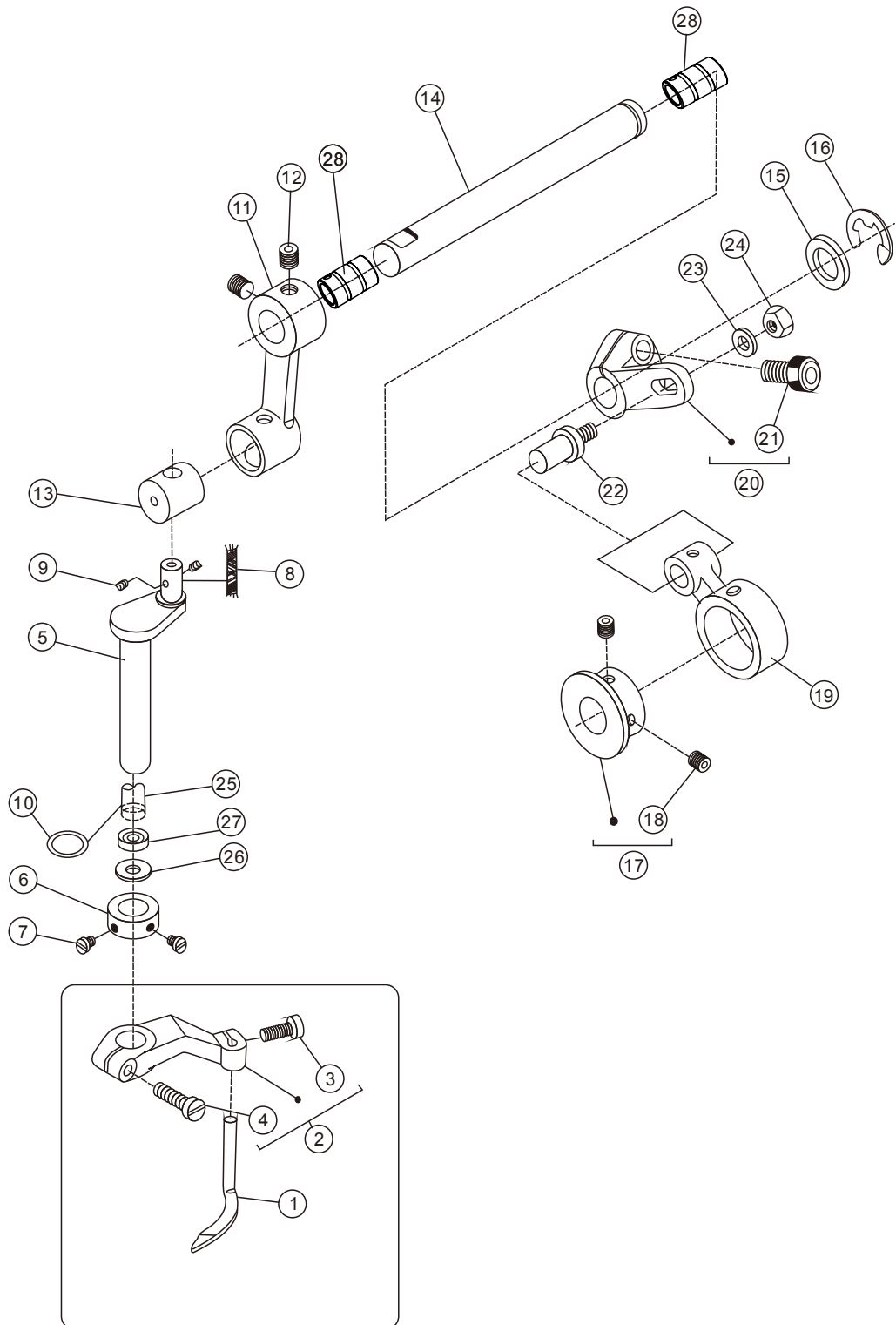
MECHANISM



2.11 压脚机构 PRESSER FOOT MECHANISM

| 序号 PEF NO | 件号 PART NO | 名称 | DESCRIPTION | 数量QTY | |
|--------------|---------------|----------|-----------------------|-------|---------|
| | | | | 562A | 562A-BD |
| 1 | 10050802 | 调压螺钉螺母组件 | ADJUSTING NUT BAR | 1 | 1 |
| 3 | 10042182 | 调压外弹簧 | SPRING | 1 | 1 |
| 4 | 10042183 | 压紧杆导架 | PRESSER BAR CLAMP | 1 | 1 |
| 5 | 10042184 | 压紧杆导架螺钉 | SCREW | 1 | 1 |
| 6 | 10042185 | 抬牙脚吊杆 | LINK | 1 | 1 |
| 7 | 10042186 | 螺钉 | SCREW | 2 | 2 |
| 8 | 10042187 | 压杆导架座 | GUIDE ASSEMBLY | 1 | 1 |
| 9 | 10042188 | 螺钉 | SCREW | 2 | 2 |
| 10 | 10042189 | 调压内弹簧 | SPRING | 1 | 1 |
| 11 | 10011457 | 压紧杆防油罩 | OIL GUARD | 3 | 3 |
| 12 | 10042213 | 压紧杆油封 | OIL SEAL | 1 | 1 |
| 13 | 10042192 | 压紧杆 | RESSER BAR | 1 | 1 |
| 14 | 10042193 | 压紧防护罩 | FINGER GUARD | 1 | 1 |
| 15 | 10042194 | 压紧防护罩螺钉 | SCREW | 1 | 1 |
| 16 | | | | | |
| 17 | * | 压脚组件 | PRESSER FOOT ASSEMBLY | 1 | 1 |
| 18 | 10042196 | 螺钉 | SCREW | 1 | 1 |
| 19 | 10042215 | 抬牙脚轴组件 | LEVER | 1 | 1 |
| 20 | 10042197 | 抬牙脚弹簧 | SPRING | 1 | 1 |
| 21 | 10042198 | 抬牙脚轴紧圈 | COLLAR | 1 | 1 |
| 22 | 10042513 | 螺钉 | SCREW | 3 | 3 |
| 23 | 10042199 | 限位紧圈 | COLLAR | 1 | 1 |
| 24 | 10042200 | 抬牙脚调节曲柄 | BELL CRANG (UPPER) | 1 | 1 |
| 25 | 10042201 | 螺钉 | SCREW | 1 | 1 |
| 26 | 10042202 | 抬牙脚吊板 | LINK | 1 | 1 |
| 27 | 10042203 | 螺钉 | SCREW | 2 | 2 |
| 28 | 10042204 | 吊杆曲柄 | BELL CRANG (LOWER) | 1 | 1 |
| 29 | 10042205 | 吊杆曲柄螺钉 | SCREW | 1 | 1 |
| 30 | 10042206 | 拉杆座 | SHAFT | 1 | 1 |
| 31 | 10042207 | 抬牙脚拉杆 | LEVER | 1 | 1 |
| 32 | 10042208 | 螺钉 | SCREW | 1 | 1 |
| 33 | 10042209 | 右限位板 | BRACKET | 1 | 1 |
| 34 | 10011264 | 螺钉 | SCREW | 2 | 2 |
| 35 | 10042210 | 螺钉 | SCREW | 1 | 1 |
| 36 | 10042540 | 螺母 | NUT | 1 | 1 |
| 37 | 10042211 | 压紧杆套 | BUSHING | 1 | 1 |

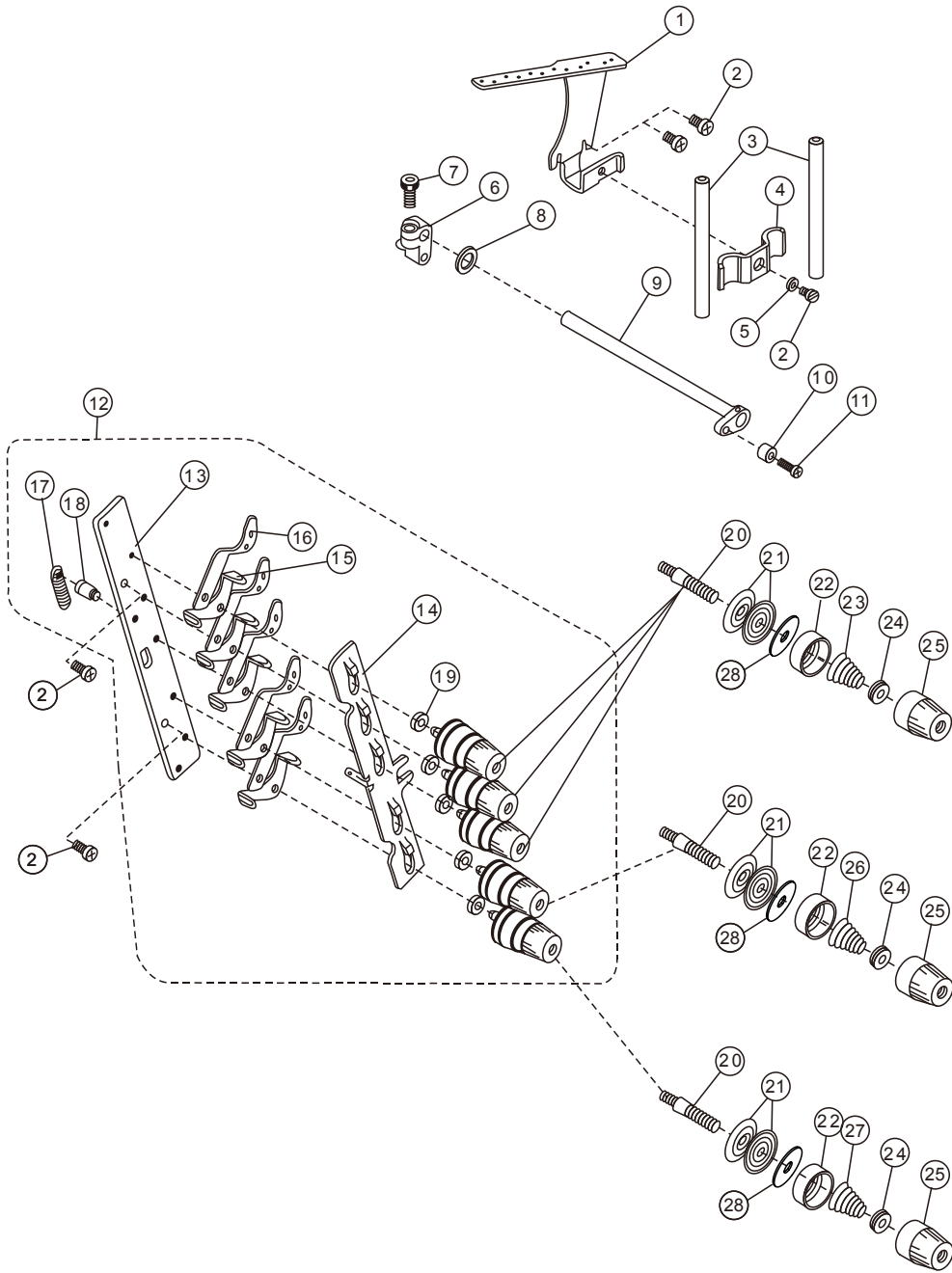
2.12 绷针结构 SPREADER MECHANISM



2.12 绷针机构 SPREADER MECHANISM

| 序号 PEF NO | 件号 PART NO | 名称 | DESCRIPTION | 数量 QTY | |
|--------------|---------------|-----------|--------------------|--------|---------|
| | | | | 562A | 562A-BD |
| 1 | 10043140 | 绷针 | SPREADER | 1 | 1 |
| 2 | 10042218 | 绷针下摆杆 | LEVER ASSEMBLY | 1 | 1 |
| 3 | 10042412 | 螺钉 | SCREW | 1 | 1 |
| 4 | 10042219 | 绷针下摆杆紧定螺钉 | SCREW | 1 | 1 |
| 5 | 10042220 | 绷针曲柄 | CRANK SHAFT | 1 | 1 |
| 6 | 10042221 | 绷针紧圈 | COLLER | 1 | 1 |
| 7 | 10042406 | 螺钉 | SCREW | 2 | 2 |
| 8 | 10008090 | 油线 | OIL WICK | 1 | 1 |
| 9 | 10042223 | 油线 | FELT | 2 | 2 |
| 10 | 10042224 | 绷针竖轴 O 型圈 | O RING | 1 | 1 |
| 11 | 10042225 | 绷针上摆杆 | CRANK | 1 | 1 |
| 12 | 10042438 | 螺钉 | SCREW | 2 | 2 |
| 13 | 10042226 | 绷针连接柱 | BLOCK | 1 | 1 |
| 14 | 10042227 | 绷针横轴 | SHAFT | 1 | 1 |
| 15 | 10042228 | 绷针横轴垫圈 | WASHER | 1 | 1 |
| 16 | 10042229 | 开口挡圈 | RING | 1 | 1 |
| 17 | 10042230 | 绷针凸轮 | ECCENTRIC ASSEMBLY | 1 | 1 |
| 18 | 10042418 | 螺钉 | SCREW | 2 | 2 |
| 19 | 10042231 | 绷针连杆 | CONNECTION | 1 | 1 |
| 20 | 10042232 | 绷针调节摆杆 | CRANK | 1 | 1 |
| 21 | 10042434 | 绷针调节摆杆螺钉 | SCREW | 1 | 1 |
| 22 | 10042233 | 绷针调节螺钉 | SCREW | 1 | 1 |
| 23 | 10042234 | 绷针调节螺钉垫圈 | WASHER | 1 | 1 |
| 24 | 10042540 | 螺母 | NUT | 1 | 1 |
| 25 | 10042235 | 绷针竖套 | BUSHING | 1 | 1 |
| 26 | 10042237 | 绷针竖套油封垫圈 | WASHER | 1 | 1 |
| 27 | 10009399 | 绷针竖套油封 | OIL SEAL | 1 | 1 |
| 28 | 10042236 | 绷针横轴轴套 | BUSHING | 2 | 2 |

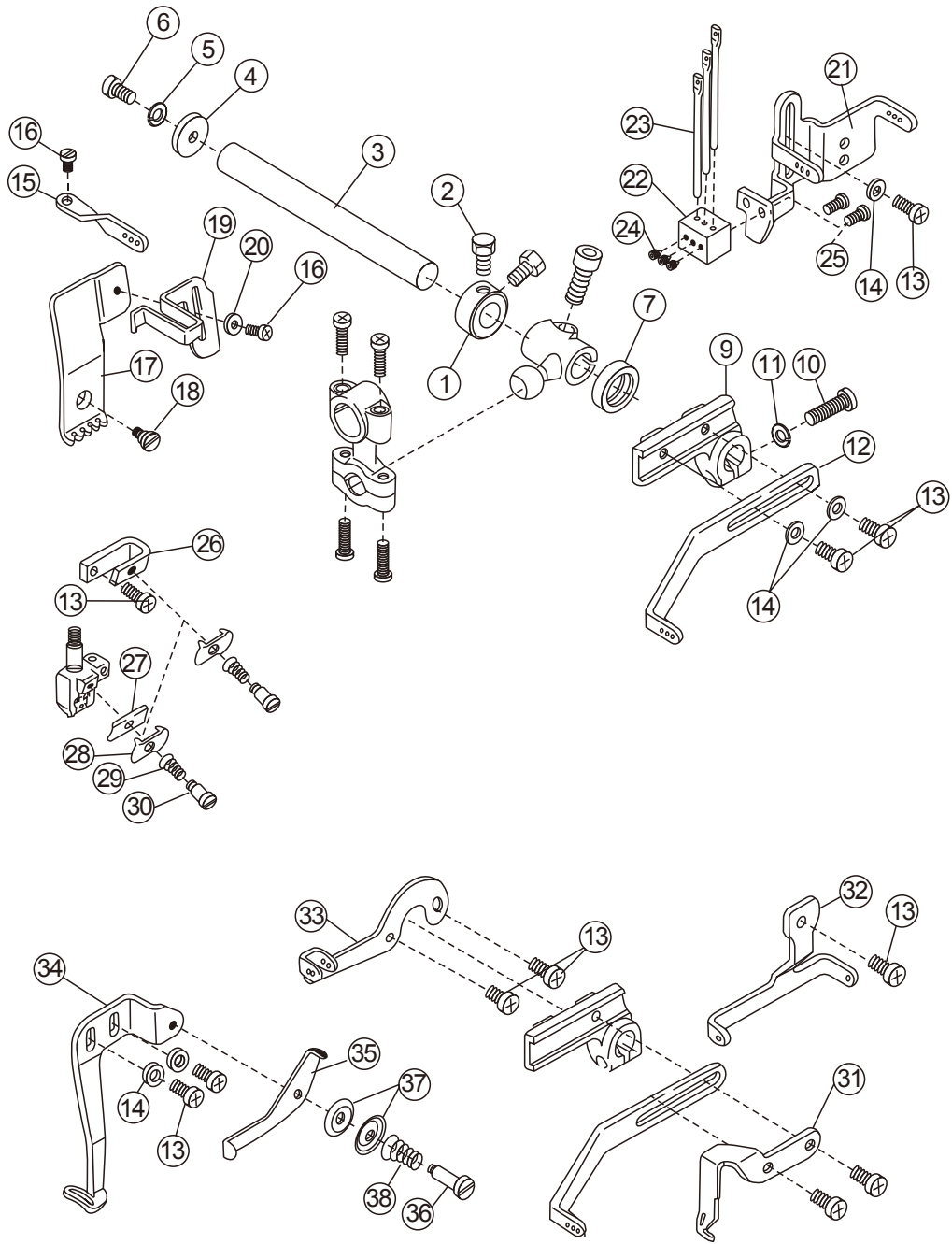
2.13 挺线及夹线机构 THREAD TENSION MECHANISM



2.13 挺线及夹线机构 THREAD TENSION MECHANISM

| 序号 PEF NO | 件 号 PART NO | 名 称 DESCRIPTION | 数量 QTY | |
|--------------|----------------|--------------------|--------|---------|
| | | | 562A | 562A-BD |
| 1 | 10042243 | 过线架 | 1 | 1 |
| 2 | 10011264 | 过线架螺钉 | 5 | 5 |
| 3 | 10042244 | 过线管 | 2 | 2 |
| 4 | 10042245 | 过线管压板 | 1 | 1 |
| 5 | 10003083 | 垫圈 | 1 | 1 |
| 6 | 10042241 | 松线曲柄 | 1 | 1 |
| 7 | 10042160 | 松线曲柄 螺钉 | 1 | 1 |
| 8 | 10042242 | 垫圈 | 1 | 1 |
| 9 | 10042238 | 挺线轴 | 1 | 1 |
| 10 | 10042239 | 隔套 | 1 | 1 |
| 11 | 10042240 | 隔套螺钉 | 1 | 1 |
| 12 | 10042247 | 五线过线板组件 | 1 | 1 |
| 13 | 10042248 | 挺线板 | 1 | 1 |
| 14 | 10042249 | 过线座 | 1 | 1 |
| 15 | 10042252 | 压线过线板 2 | 5 | 5 |
| 16 | 10042253 | 夹线过线板 1 | 5 | 5 |
| 17 | 10042250 | 挺线扳拉簧 | 1 | 1 |
| 18 | 10042251 | 挺线板螺钉 | 1 | 1 |
| 19 | 10042254 | 垫圈 | 5 | 5 |
| 20 | 10042255 | 夹线螺钉 | 5 | 5 |
| 21 | 10042256 | 夹线板 | 10 | 10 |
| 22 | 10042257 | 夹线座 | 5 | 5 |
| 23 | 10042258 | 强夹线簧 | 3 | 3 |
| 24 | 10042261 | 夹线防松圈 | 5 | 5 |
| 25 | 10042262 | 夹线螺母 | 5 | 5 |
| 26 | 10042259 | 弱夹线簧 | 1 | 1 |
| 27 | 10042260 | 中夹线簧 | 1 | 1 |
| 28 | 10051990 | 夹线板垫 | 5 | 5 |

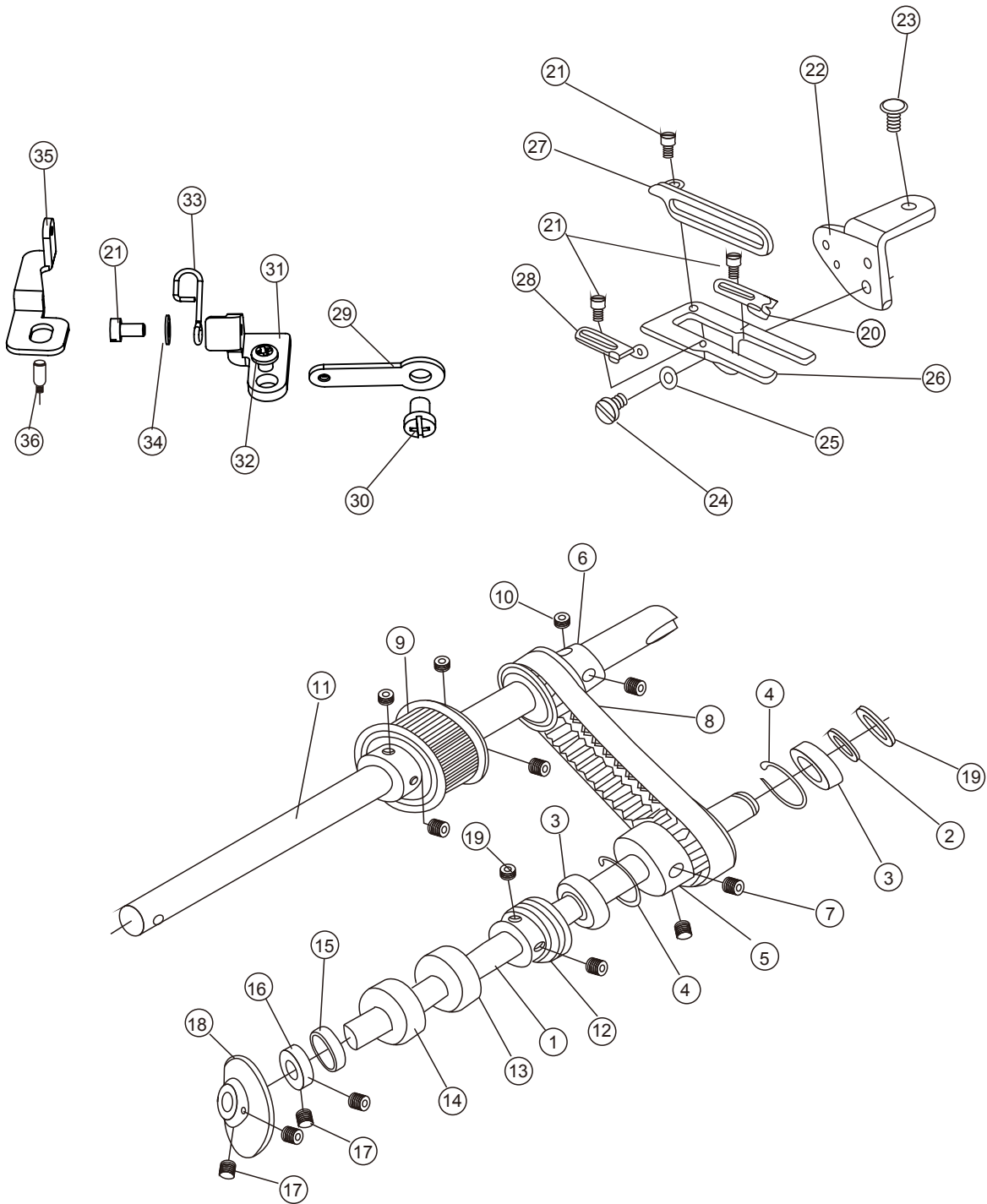
2.14 挑线机构 NEEDLE & SPREADER THREAD MECHANISM



2.14 挑线机构 NEED& SPREADER THREAD MECHANISM

| 序号 PEFNO | 件 号 PARTNO | 名 称 | DESCRIPTION | 数量QTY | |
|-------------|---------------|----------|----------------------|-------|---------|
| | | | | 562A | 562A-BD |
| 1 | 10042263 | 挑线杆轴紧圈 | COLLAR | 1 | 1 |
| 2 | 10042264 | 挑线杆轴紧圈螺钉 | SCREW | 2 | 2 |
| 3 | 10042265 | 挑线杆轴 | SHAFT | 1 | 1 |
| 4 | 10042266 | 垫圈 | WASHER | 1 | 1 |
| 5 | 10042267 | 止退圈 | WASHER | 1 | 1 |
| 6 | 10042268 | 止退圈紧固螺钉 | SCREW | 1 | 1 |
| 7 | 10009399 | 密封圈 | OIL SEAL | 1 | 1 |
| 9 | 10042269 | 挑线杆座 | LEVER | 1 | 1 |
| 10 | 10042478 | 挑线杆座夹紧螺钉 | SCREW | 1 | 1 |
| 11 | 10009429 | 止推垫圈 | WASHER | 1 | 1 |
| 12 | 10042270 | 挑线杆 | THREADTAKE-UP | 1 | 1 |
| 13 | 10011264 | 螺钉 | SCREW | 9 | 9 |
| 14 | 10003083 | 垫圈 | WASHER | 5 | 5 |
| 15 | 10042271 | 针杆上过线勾 | THREADGUIDE | 1 | 1 |
| 16 | 10042406 | 螺钉 | SCREW | 1 | 1 |
| 17 | 10042272 | 过线防护罩座 | THREADGUIDE | 1 | 1 |
| 18 | 10042273 | 过线防护罩座螺钉 | SCREW | 1 | 1 |
| 19 | 10042604 | 挑线防护罩 | THREADSUPPORT | 1 | 1 |
| 20 | 10042195 | 垫圈 | WASHER | 1 | 1 |
| 21 | 10042275 | 硅油过线座 | THREADGUIDE | 1 | 1 |
| 22 | 10042276 | 过线钉座 | HOLDER | 1 | 1 |
| 23 | 10042277 | 过线钉 | THREADGUIDE | 3 | 3 |
| 24 | 10042500 | 过线钉座紧定螺钉 | SCREW | 3 | 3 |
| 25 | 10042194 | 过线钉座固定螺钉 | SCREW | 2 | 2 |
| 26 | 10042278 | 小过线座 | THREADTENSIONBRACKET | 1 | 1 |
| 27 | 10042279 | 针扎过线板 | THREADGUIDE | 1 | 1 |
| 28 | 10042280 | 针扎过线压板 | THREADRETAINER | 1 | 1 |
| 29 | 10042281 | 针扎过线簧 | SCREW | 1 | 1 |
| 30 | 10042282 | 针扎过线螺钉 | SCREW | 1 | 1 |
| 31 | 10042283 | 上叉挑线杆 | THREADTAKE-UP | 1 | 1 |
| 32 | 10042284 | 底线过线座 | THREADGUIDE | 1 | 1 |
| 33 | 10042285 | 张线杆 | THREADGUIDE | 1 | 1 |
| 34 | 10042286 | 绷线过线下过线板 | THREADGUIDE | 1 | 1 |
| 35 | 10042287 | 绷线过线板 | THREADGUIDE | 1 | 1 |
| 36 | 10042288 | 夹紧螺钉 | SCREW | 1 | 1 |
| 37 | 10042289 | 过线压板 | THREADRETAINER | 2 | 2 |
| 38 | 10042290 | 压线簧 | SPRING | 1 | 1 |

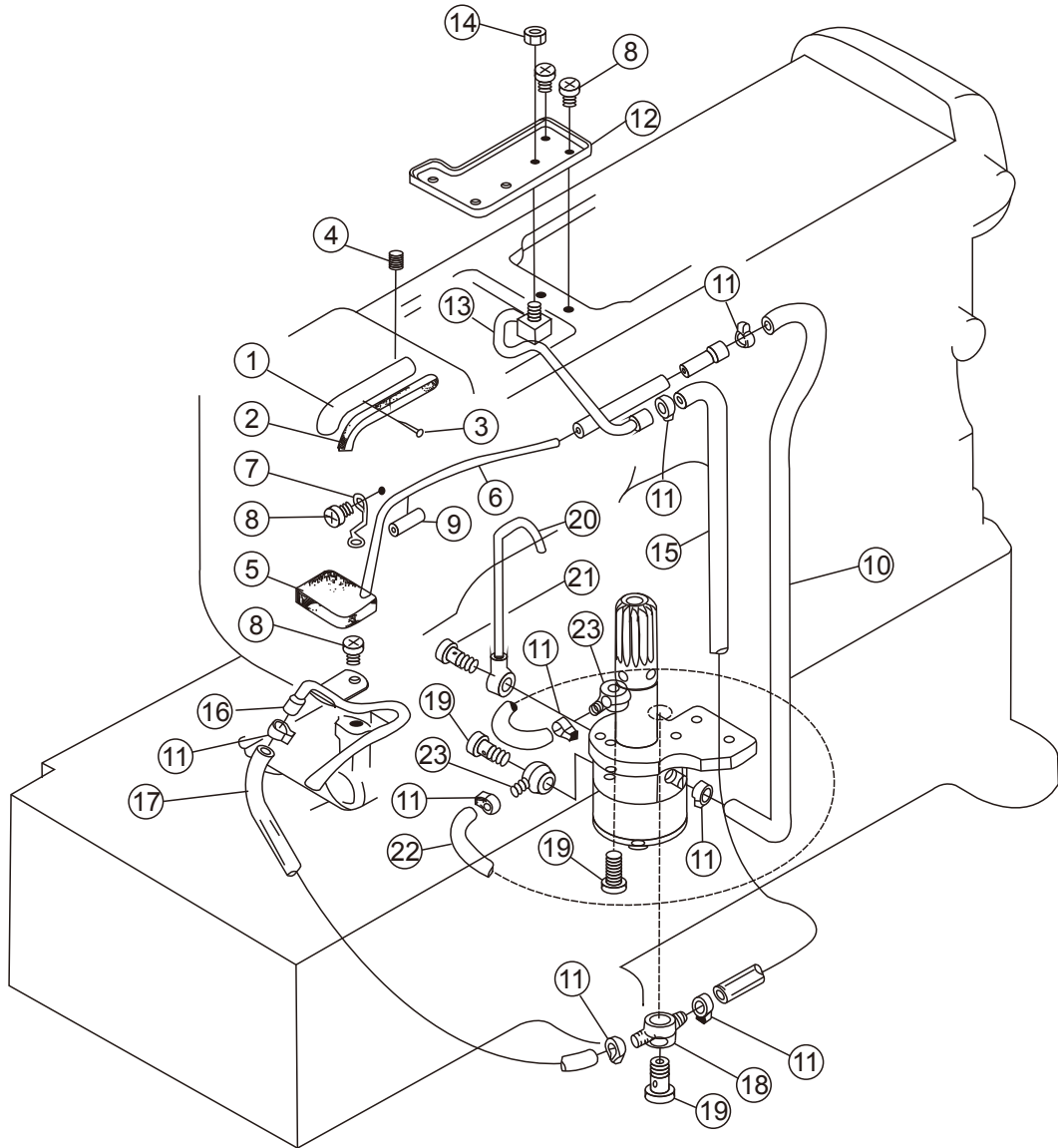
2.15 打线凸轮机构 LOOPER THREAD MECHANISM



2.15 打线凸轮机构 LOOPER THREAD MECHANISM

| 序号 PEF NO | 件号 PART NO | 名称 | DESCRIPTION | 数量 QTY | |
|--------------|-----------------------------|----------|-----------------------|--------|---------|
| | | | | 562A | 562A-BD |
| 1 | 10042931 | 打线凸轮轴 | SHAFT | 1 | 1 |
| 2 | 10003334 | 挡圈 | RING | 1 | 1 |
| 3 | 10042938 | 轴承 | BRACKET | 2 | 2 |
| 4 | 10027925 | 挡圈 | RING | 2 | 2 |
| 5 | 10042907 | 打线从动同步带轮 | SMALL GEAR 1 | 1 | 1 |
| 6 | 10042909 | 打线主动同步带轮 | SMALL GEAR 2 | 1 | 1 |
| 7 | 10042429 | 螺钉 | SCREW | 2 | 2 |
| 8 | 10042912 不用 10069057 (代) | 同步带 | TIMING BELT | 1 | 1 |
| 9 | 10042910 | 主动同步带轮 | GEAR | 1 | 1 |
| 10 | 10042429 | 螺钉 | SCREW | 2 | 2 |
| 11 | 10043209 | 下轴后节 | SHAFT | 1 | 1 |
| 12 | 10042911 | 打线凸轮右衬套 | GEAR SLEEVE (RIGHT) | 1 | 1 |
| 13 | 10011204 | 油封 | OIL SEAL | 1 | 1 |
| 14 | 10042937 | 轴承 | BRACKET | 1 | 1 |
| 15 | 10042228 | 垫圈 | WASHER | 1 | 1 |
| 16 | 10042916 | 挡圈 | RING | 1 | 1 |
| 17 | 10042418 | 螺钉 | SCREW | 6 | 6 |
| 18 | 10042917 | 打线凸轮 | THREAD TAKE-UP | 1 | 1 |
| 19 | 10042922 | 骨架油封 | PLUG | 1 | 1 |
| 20 | 10042927 | 右穿线板 | THREAD GUIDE (RIGHT) | 1 | 1 |
| 21 | 10042406 | 螺钉 | SCREW | 4 | 4 |
| 22 | 10042924 | 过线板座 | BRACKET | 1 | 1 |
| 23 | 10042382 | 螺钉 | SCREW | 1 | 1 |
| 24 | 10042921 | 轴位螺钉 | SCREW | 1 | 1 |
| 25 | 10042913 | 波形垫圈 | WASHER | 1 | 1 |
| 26 | 10042928 | 过线板 | BRACKET | 1 | 1 |
| 27 | 10042929 | 过线压板 | THREAD GUIDE (CENTER) | 1 | 1 |
| 28 | 10042925 | 左穿线板 | THREAD GUIDE (LEFT) | 1 | 1 |
| 29 | 10042293 | 小过线板 | BRACKET | 1 | 1 |
| 30 | 10042377 | 螺钉 | SCREW | 1 | 1 |
| 31 | 10042926 | 弹簧钩座 | SPRING HOOK SEAT | 1 | 1 |
| 32 | 10042394 | 螺钉 | SCREW | 1 | 1 |
| 33 | 10042953 | 弹簧钩 | SPRING HOOKS | 1 | 1 |
| 34 | 10042407 | 垫圈 | WASHER | 1 | 1 |
| 35 | 10042294 | 过线板 | BRACKET | 1 | 1 |
| 36 | 10042400 | 底线过线柱 | SCREW | 1 | 1 |

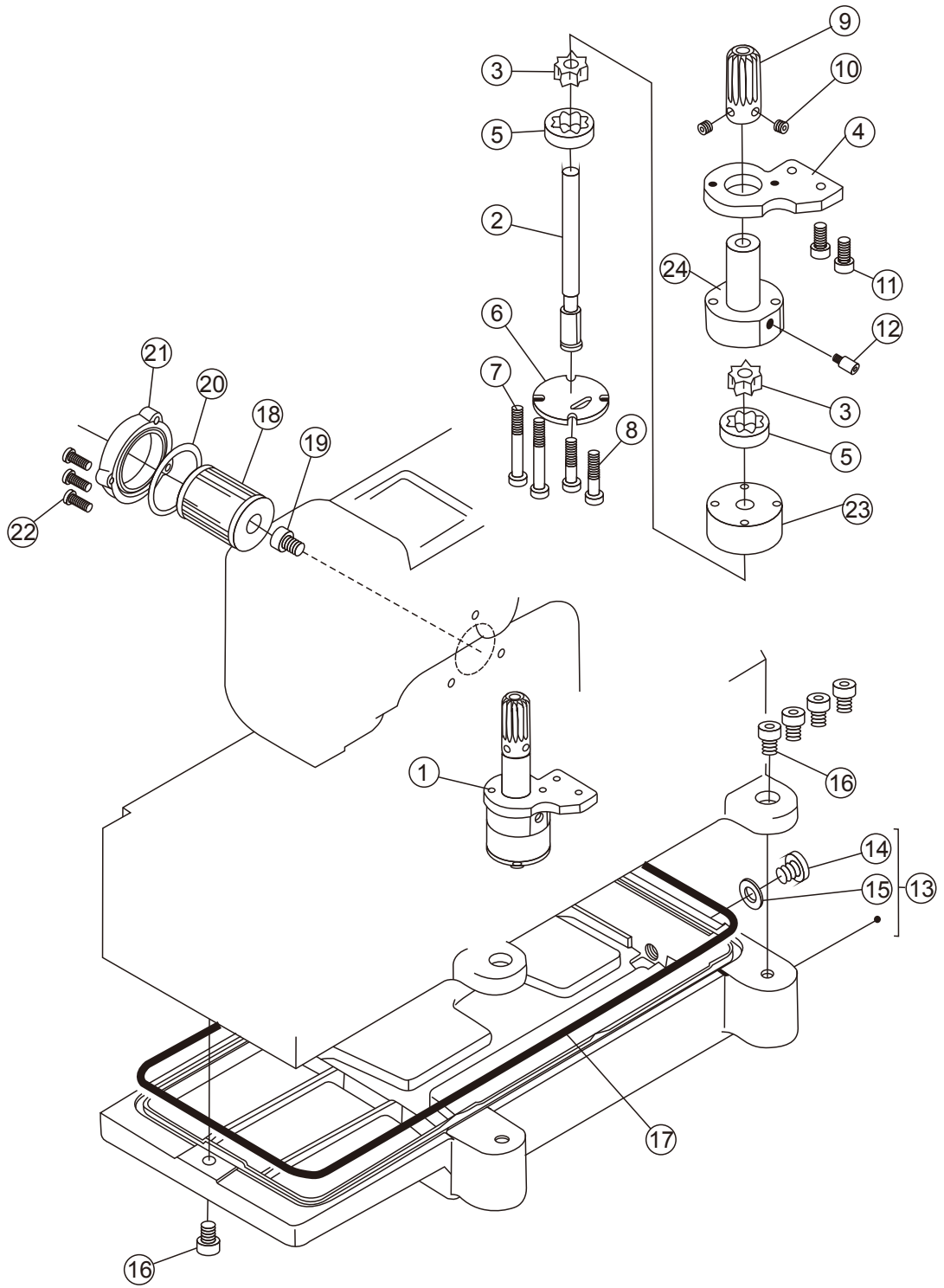
2.16 润滑机构 (A) LUBRICATION MECHANISM (A)



2.16 润滑机构(A) LUBRICATION MECHANISM(A)

| 序号 PEF NO | 件 号 PART NO | 名 称 | DESCRIPTION | 数量 QTY | |
|--------------|----------------|----------|-----------------|--------|---------|
| | | | | 562A | 562A-BD |
| 1 | 10042316 | 针杆曲柄过油管 | OIL PIPE | 1 | 1 |
| 2 | 10042317 | 针杆曲柄供油毡 | FELT | 1 | 1 |
| 3 | 10042318 | 油线钉 | PIN | 1 | 1 |
| 4 | 10042418 | 螺钉 | SCREW | 1 | 1 |
| 5 | 10051751 | 回油毡 | FELT | 1 | 1 |
| 6 | 10052322 | 回油铜管 | PIPE | 1 | 1 |
| 7 | 10052252 | 毛毡定位勾 | LATCH | 1 | 1 |
| 8 | 10010837 | 螺钉 | SCREW | 4 | 4 |
| 9 | 10007796 | 回油皮管 | PIPE | 1 | 1 |
| 10 | 10007796 | 回油皮管 | PIPE | 1 | 1 |
| 11 | 10011471 | 进油短油管夹 | CLAMP | 6 | 6 |
| 12 | 10042323 | 上油盘 | OIL GUARD | 1 | 1 |
| 13 | 10042324 | 上轴供油管 | OIL DISTRIBUTOR | 1 | 1 |
| 14 | 10042544 | 螺母 | NUT | 1 | 1 |
| 15 | 10007796 | 回油皮管 | PIPE | 1 | 1 |
| 16 | 10042326 | 下油管组件 | OIL DISTRIBUTOR | 1 | 1 |
| 17 | 10007796 | 回油皮管 | PIPE | 1 | 1 |
| 18 | 10012095 | 双通管接头 | JOINT | 1 | 1 |
| 19 | 10042329 | 螺钉双通油接头 | JOINT SCREW | 3 | 3 |
| 20 | 10042330 | 涡轮供油管组件 | PIPE | 1 | 1 |
| 21 | 10042331 | 螺钉小双通油接头 | JOINT SCREW | 1 | 1 |
| 22 | 10007796 | 回油皮管 | PIPE | 1 | 1 |
| 23 | 10012103 | 单通油管接头 | JOINT | 1 | 1 |

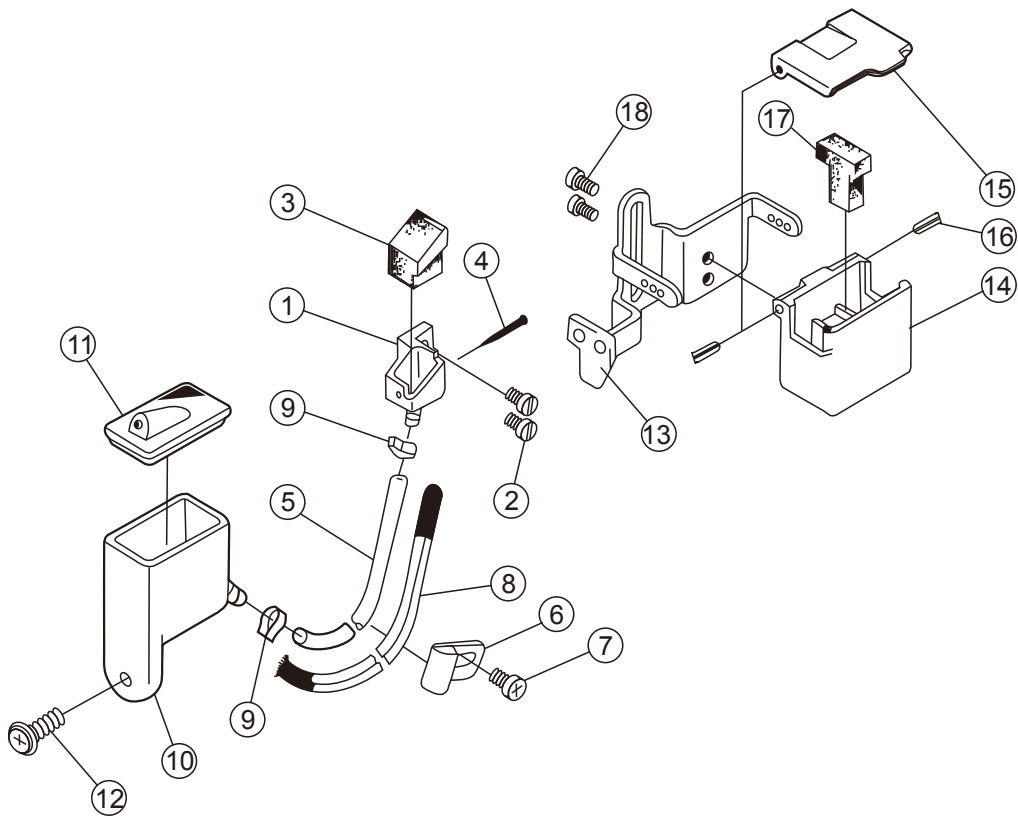
2.17 润滑机构 (B) LUBRICATION MECHANISM (B)



2.17 润滑机构(B) LUBRICATION MECHANISM(B)

| 序号 PEF NO | 件号 PART NO | 名称 | DESCRIPTION | 数量 QTY | |
|--------------|---------------|----------|-------------------|--------|---------|
| | | | | 562A | 562A-BD |
| 1 | 10042144 | 油泵组件 | OIL PUMP ASSEMBLY | 1 | 1 |
| 2 | 10042146 | 油泵轴 | SHAFT | 1 | 1 |
| 3 | 10042147 | 齿轮 | ROTOR | 2 | 2 |
| 4 | 10042145 | 固定板 | SETTING BOARD | 1 | 1 |
| 5 | 10042148 | 内齿轮 | ROTOR | 2 | 2 |
| 6 | 10042149 | 底板 | COVER | 1 | 1 |
| 7 | 10042150 | 长螺钉 | SCREW | 2 | 2 |
| 8 | 10042151 | 底板固定螺钉 | SCREW | 2 | 2 |
| 9 | 10042152 | 油泵涡轮 | WORM WHEEL | 1 | 1 |
| 10 | 10042418 | 螺钉 | SCREW | 2 | 2 |
| 11 | 10042160 | 固定板螺钉 | SCREW | 2 | 2 |
| 12 | 10042334 | 油泵回油管接头 | JOINT SCREW | 1 | 1 |
| 13 | 10042335 | 油盘 | OIL RESERVOIR | 1 | 1 |
| 14 | 10042336 | 油盘螺钉 | SCREW | 1 | 1 |
| 15 | 10042337 | 密封垫 | WASHER | 1 | 1 |
| 16 | 10042338 | 油盘下螺钉 | SCREW | 1 | 1 |
| 17 | 10042339 | 油盘防油垫 | O RING | 1 | 1 |
| 18 | 10043169 | 滤油器 | FILTER ELEMENT | 1 | 1 |
| 19 | 10042340 | 滤油器螺钉 | SCREW | 1 | 1 |
| 20 | 10042341 | O 型圈 | O RING | 1 | 1 |
| 21 | 10042342 | 滤油器盖 | COVER | 1 | 1 |
| 22 | 10042387 | 滤油器盖固定螺钉 | SCREW | 3 | 3 |
| 23 | 10042153 | 油泵壳体 | OIL PUMP COVER | 1 | 1 |
| 24 | 10042154 | 上油泵体 | UPPER OIL PUMP | 1 | 1 |

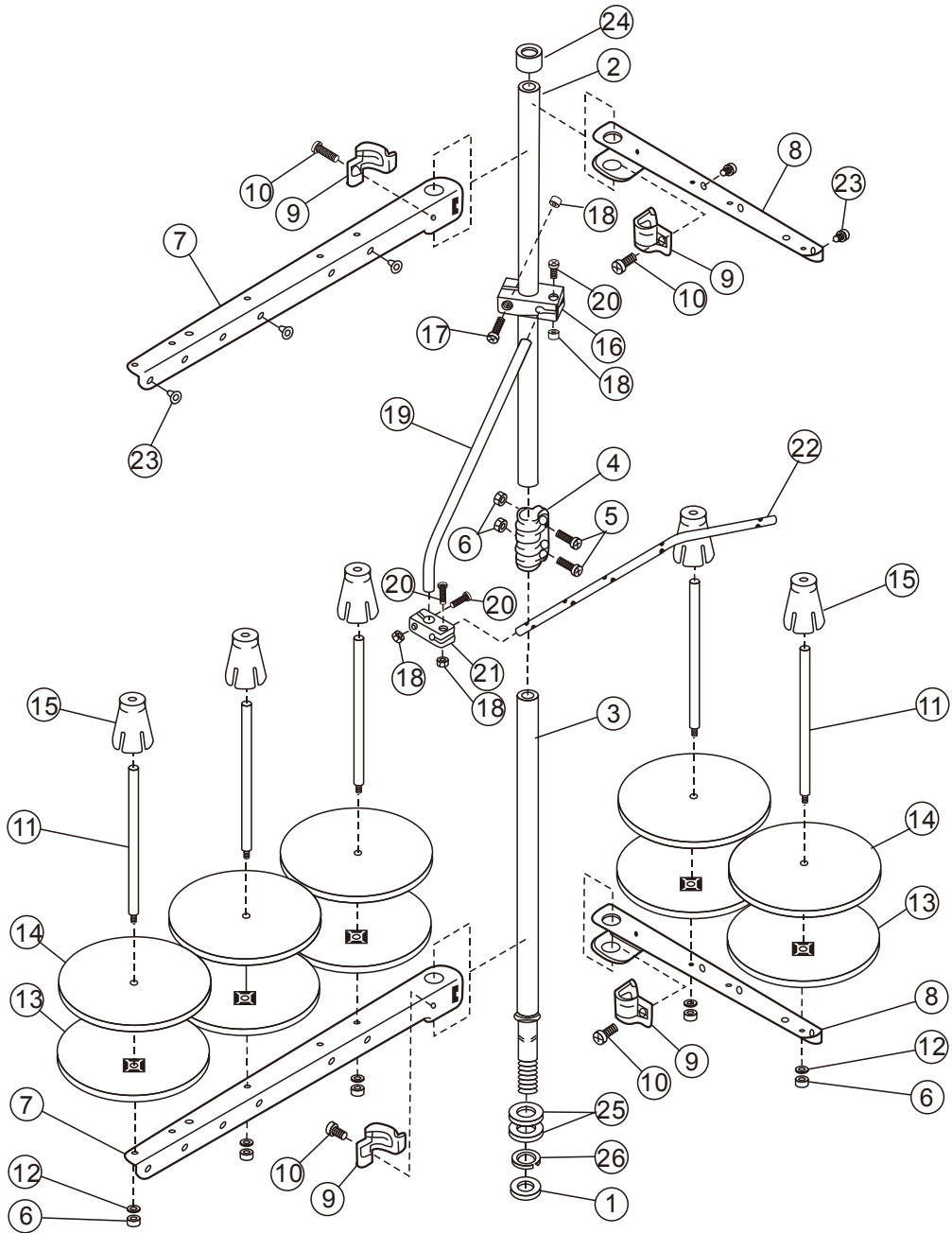
2.18 硅油盒机构 SILICON OIL RESERVOIR MECHANISM



2.18 硅油盒机构 SILICON OIL RESERVOIR MECHANISM

| 序号 PEF NO | 件 号 PART NO | 名 称 | DESCRIPTION | 数量 QTY | |
|--------------|----------------|-------|-------------------------------|--------|---------|
| | | | | 562A | 562A-BD |
| 1 | 10042343 | 硅油盒壳体 | NEEDLE COOLER (LOWER) | 1 | 1 |
| 2 | 10042194 | 螺钉 | SCREW | 2 | 2 |
| 3 | 10042344 | 硅油盒毛毡 | FELT | 1 | 1 |
| 4 | 10042318 | 大头针 | PIN | 1 | 1 |
| 5 | 10007796 | 油管 | TUBE | 1 | 1 |
| 6 | 10008228 | 油线压板 | BRACKET | 1 | 1 |
| 7 | 10042377 | 螺钉 | SCREW | 1 | 1 |
| 8 | 10008095 | 油线 | OIL WICK | 1 | 1 |
| 9 | 10011471 | 夹头 | CLAMP | 1 | 1 |
| 10 | 10042347 | 硅油驻盒 | SILICON OIL RESERVIOR (LOWER) | 1 | 1 |
| 11 | 10042348 | 硅油驻盒盖 | CAP | 1 | 1 |
| 12 | 10042387 | 螺钉 | SCREW | 1 | 1 |
| 13 | 10042275 | 硅油过线座 | THREAD GUIDE | 1 | 1 |
| 14 | 10042350 | 上硅油盒 | SILICON OIL RESERVIOR (UPPER) | 1 | 1 |
| 15 | 10042351 | 上硅油盒盖 | CAP | 1 | 1 |
| 16 | 10044981 | 销 | FIN | 1 | 1 |
| 17 | 10042349 | 上硅油毡 | FELT | 1 | 1 |
| 18 | 10010690 | 螺钉 | SCREW | 2 | 2 |

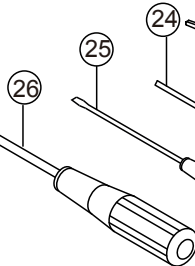
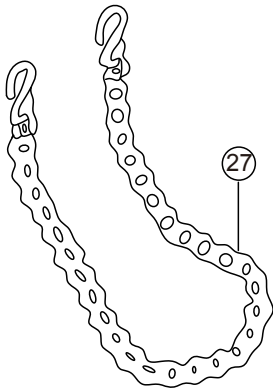
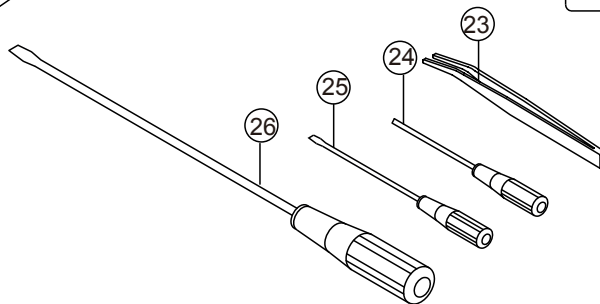
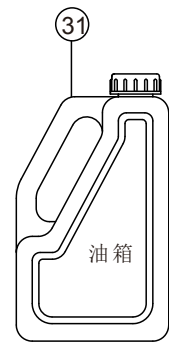
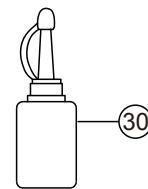
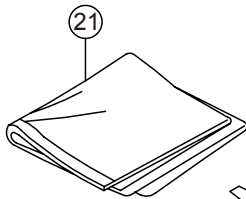
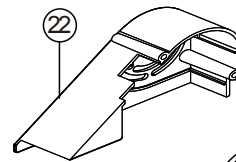
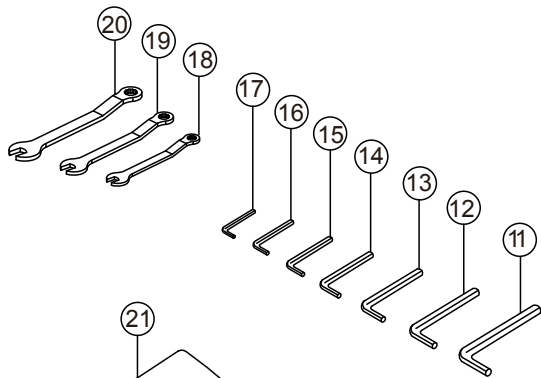
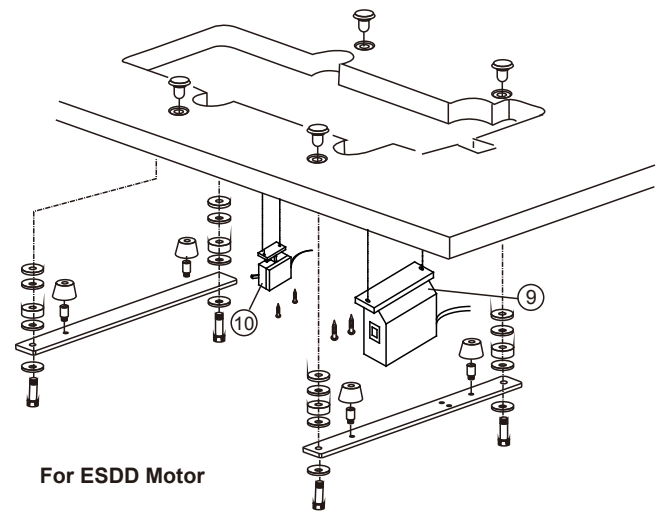
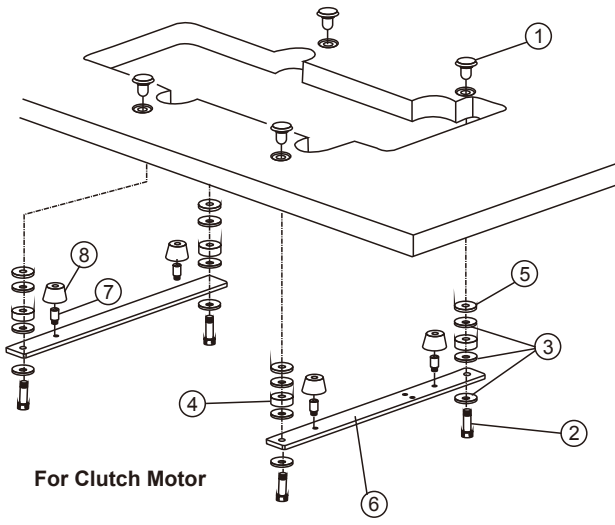
2.19 线架 THREAD STAND



2.19 线架 THREAD STAND

| 序号 PEF NO | 件号 PART NO | 名称 | DESCRIPTION | 数量 QTY | |
|--------------|---------------|---------|-------------------|--------|---------|
| | | | | 562A | 562A-BD |
| 1 | 10046021 | 螺母 | NUT | 1 | 1 |
| 2 | 10045996 | 上过线管 | THREAD BAR(UPPER) | 1 | 1 |
| 3 | 10045997 | 下过线管 | THREAD BAR(LOWER) | 1 | 1 |
| 4 | 10045998 | 过线夹 | JOINT | 1 | 1 |
| 5 | 10045999 | 螺钉 | SCREW | 2 | 2 |
| 6 | 10046000 | 螺母 | NUT | 7 | 7 |
| 7 | 10046001 | 上过线架 | BRACKET | 2 | 2 |
| 8 | 10046002 | 前过线架 | BRACKET | 2 | 2 |
| 9 | 10046003 | 夹子 | HOLDER | 4 | 4 |
| 10 | 10046004 | 螺钉 | SCREW | 4 | 4 |
| 11 | 10046005 | 线团固定柱 | SPOOL PIN | 5 | 5 |
| 12 | 10046006 | 弹簧垫圈 | SPRING WASHER | 5 | 5 |
| 13 | 10046007 | 线盘 | SPOOL TRAY | 5 | 5 |
| 14 | 10046008 | 线盘垫 | SPOOL MAT | 5 | 5 |
| 15 | 10046009 | 定心座 | SPOOL PETAINING | 5 | 5 |
| 16 | 10046010 | 中过线板夹紧块 | BRACKET | 1 | 1 |
| 17 | 10046011 | 螺钉 | SCREW | 1 | 1 |
| 18 | 10046012 | 螺母 | NUT | 4 | 4 |
| 19 | 10046013 | 中过线接杆 | THREAD GUIDE BAR | 1 | 1 |
| 20 | 10046014 | 螺钉 | SCREW | 3 | 3 |
| 21 | 10046015 | 中过线接头 | BRACKET | 1 | 1 |
| 22 | 10046016 | 中过线杆 | THREAD GUIDE BAR | 1 | 1 |
| 23 | 10046017 | 过线管 | THREAD GUIDE | 5 | 5 |
| 24 | 10046018 | 上立柱橡皮封 | RID CAP | 1 | 1 |
| 25 | 10046019 | 垫圈 | WASHER | 2 | 2 |
| 26 | 10046020 | 弹簧垫圈 | SPRING WASHER | 1 | 1 |

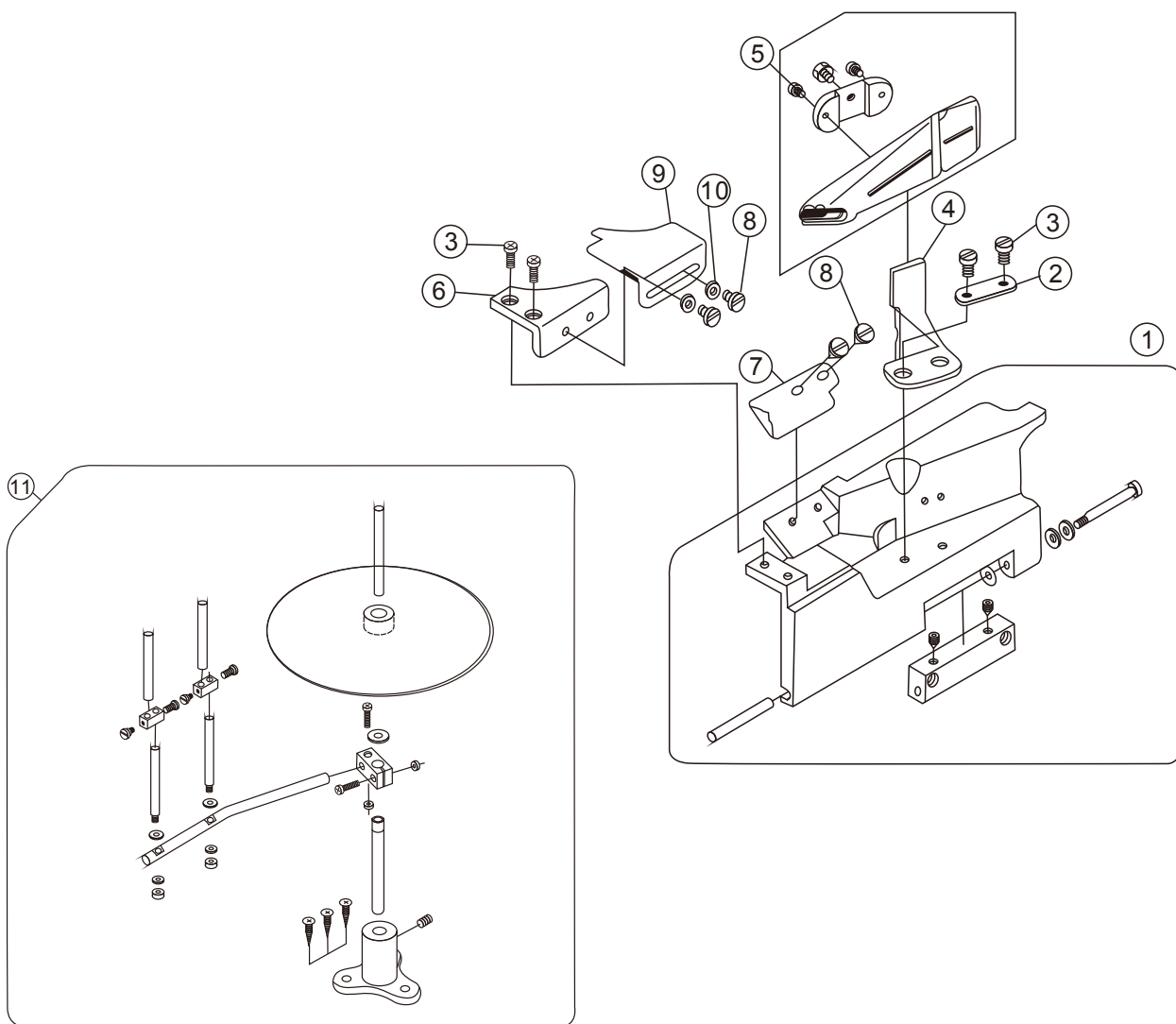
2.20 台板及附件 MACHINE SUPPORTING MECHANISM



2.20 台板及附件 MACHINE SUPPORTING MECHANISM

| 序号 PEF NO | 件 号 PART NO | 名 称 | DESCRIPTION | 数量 QTY | |
|--------------|----------------|----------------|---------------------------|--------|---------|
| | | | | 562A | 562A-BD |
| 1 | 10009596 | 台板螺钉 | SCREW | 4 | 4 |
| 2 | 10042354 | 长螺钉 | BOLT | 4 | 4 |
| 3 | 10042355 | 垫片 | WASHER | 12 | 12 |
| 4 | 10042356 | 大胶垫 | SPACER | 4 | 4 |
| 5 | 10042357 | 小胶垫 | SPACER | 4 | 4 |
| 6 | 10042358 | 承重板 | REST BOARD | 2 | 2 |
| 7 | 10042359 | 螺钉 | SCREW | 4 | 4 |
| 8 | 10042360 | 承重板胶垫 | RUBBER CUSHION | 4 | 4 |
| 9 | 10050653 | 绷缝三自动电控 | ESDD CONTROL BOX ASSEMBLY | 0 | 1 |
| 10 | 10042950 | 踏板控制器 | SCREW | 0 | 1 |
| 11 | 10009688 | 内六角扳手 6mm | ALLEN KEY 6mm | 1 | 1 |
| 12 | 10009689 | 内六角扳手 5mm | ALLEN KEY 5mm | 1 | 1 |
| 13 | 10009687 | 内六角扳手 4mm | ALLEN KEY 4mm | 1 | 1 |
| 14 | 10043163 | 内六角扳手 3.5mm | ALLEN KEY 3.5mm | 1 | 1 |
| 15 | 10009685 | 内六角扳手 3mm | ALLEN KEY 3mm | 1 | 1 |
| 16 | 10009686 | 内六角扳手 2.5mm | ALLEN KEY 2.5mm | 1 | 1 |
| 17 | 10009683 | 内六角扳手 2m | ALLEN KEY 2mm | 1 | 1 |
| 18 | 10014185 | 扳手 6 | WRENCH KEY (6) | 1 | 1 |
| 19 | 10014122 | 扳手 7 | WRENCH KEY (7) | 1 | 1 |
| 20 | 10014186 | 扳手 8 | WRENCH KEY (8) | 1 | 1 |
| 21 | 10011311 | 机头罩☆ | DUST COVER☆ | 1 | 1 |
| 22 | 10047361 | 皮带罩组件 | BELT COVER ASSEMBLY | 1 | 0 |
| 23 | 10004247 | 镊子组件 | TWEEZERS | 1 | 1 |
| 24 | 10009270 | 内六角开刀 | SCREW DRIVER | 1 | 1 |
| 25 | 10010995 | 中螺丝刀 | SCREW DRIVER | 1 | 1 |
| 26 | 10010994 | 大螺丝刀 | SCREW DRIVER | 1 | 1 |
| 27 | 20000813 | 踏板链条组件 | CHAIN ASSEMBLY | 1 | 1 |
| 28 | 10050369 | UY128GAS 11#机针 | NEEDLE #11 | 3 | 3 |
| 29 | 10045181 | 说明书☆ | INSTRUCTION MANUAL☆ | 1 | 1 |
| 30 | 10011155 | 硅油瓶 | OILER | 1 | 1 |
| 31 | 10004455 | 油箱 | IOL POUCH | 1 | 1 |

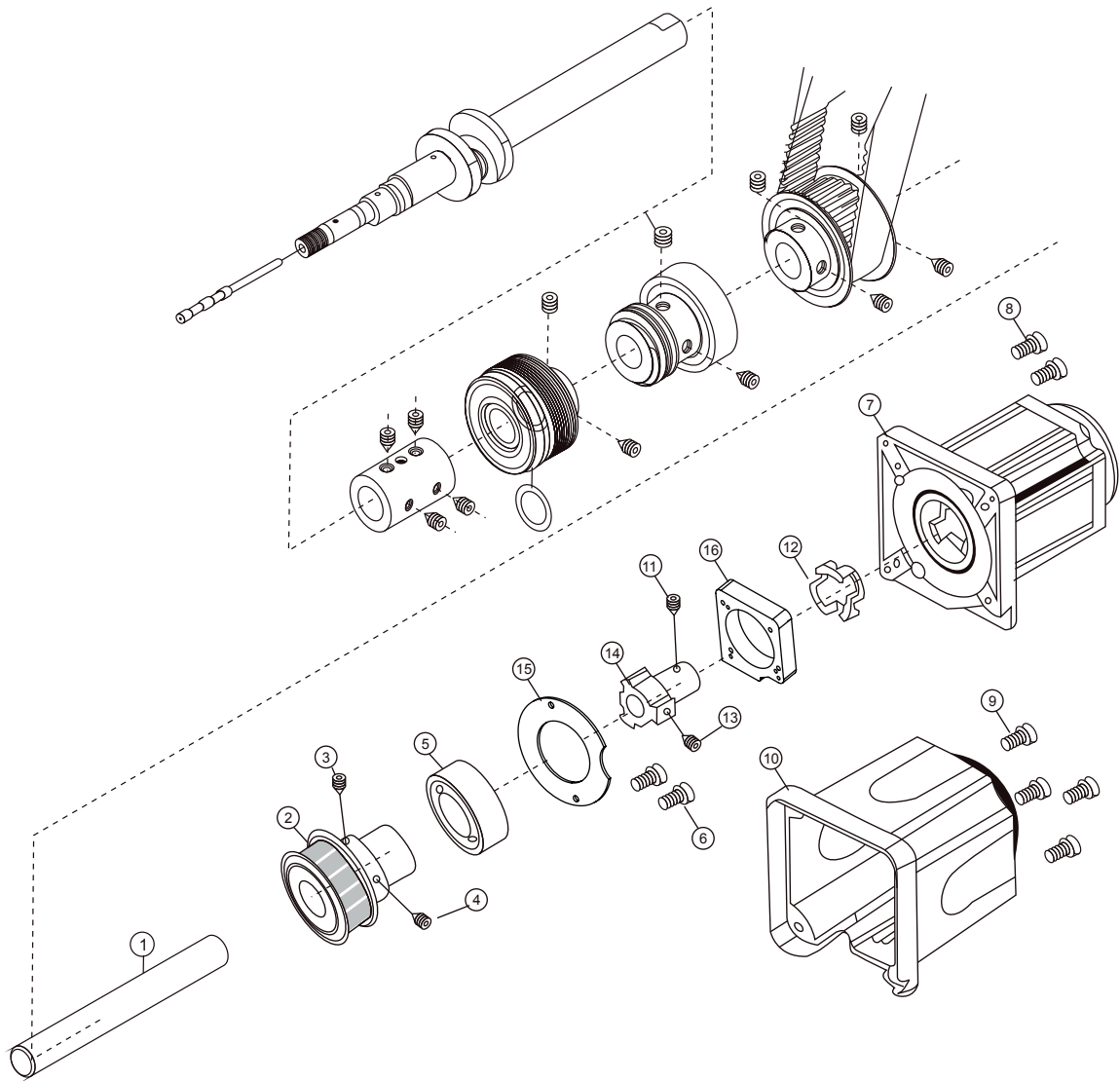
2.21 卷边专用件 FOLDER ASM



2.21 卷边专用件 FOLDER ASM

| 序号 PEF NO | 件 号 PART NO | 名 称 | DESCRIPTION | 数量 QTY | |
|--------------|----------------|----------|----------------------|--------|---------|
| | | | | 562A | 562A-BD |
| 1 | 10042955 | 穿线罩组件 | FRONT COVER ASSEMBLY | 1 | 1 |
| 2 | 10042863 | 卷便器支架垫片 | WASHER | 1 | 1 |
| 3 | 10042481 | 螺钉 | SCREW | 4 | 4 |
| 4 | 10042862 | 卷边器支架 | BRACKET | 1 | 1 |
| 5 | 10045989 | 卷边器组件 | FOLDER ASSEMBLY | 1 | 1 |
| 6 | 10042864 | 穿线罩板上板 | FRONT COVER (SMALL) | 1 | 1 |
| 7 | 10042867 | 挡料板 | FABRIC GUARD | 1 | 1 |
| 8 | 10042865 | 穿线罩板上板螺钉 | SCREW | 4 | 4 |
| 9 | 10042866 | 引布板 | AUXILLARY PLATE | 1 | 1 |
| 10 | 10042477 | 垫片 | WASHER | 2 | 2 |
| 11 | 10045990 | 托料盘组件 | TAPE GUIDE ASSEMBLY | 1 | 1 |

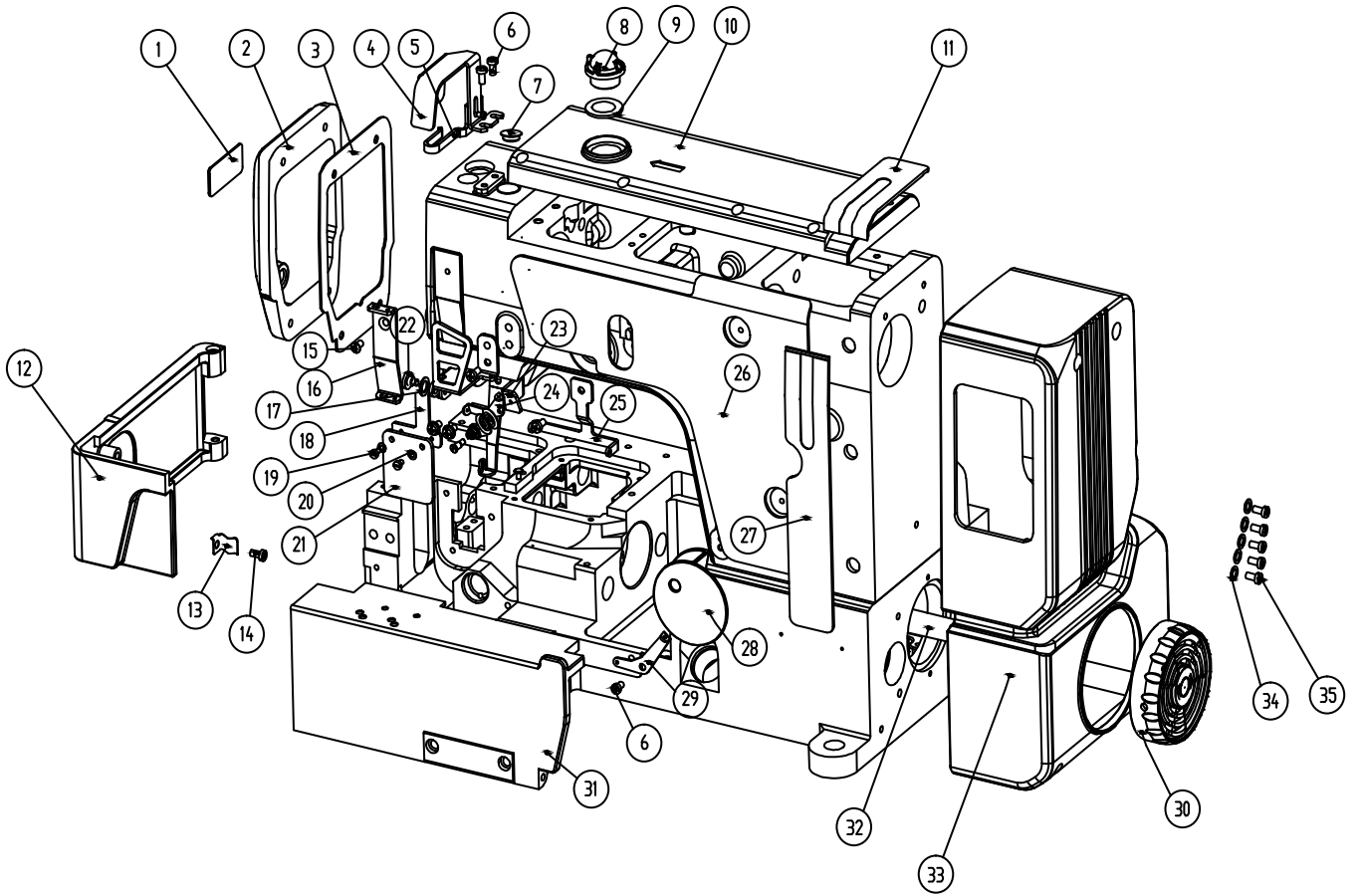
2.22 直驱电机结构 ESDD MOTOR COMPONENTS



2.22 直驱电机结构 ESDD MOTOR COMPONENTS

| 序号 PEF NO | 件 号 PART NO | 名 称 | DESCRIPTION | 数量 QTY | |
|--------------|----------------|------------|-----------------------------|--------|---------|
| | | | | 562A | 562A-BD |
| 1 | 10043209 | 下轴后节 | SHAFT | 0 | 1 |
| 2 | 10042909 | 打线主动同步带轮组件 | GEAR | 0 | 1 |
| 3 | 10042437 | 螺钉 | SCREW | 0 | 1 |
| 4 | 10042438 | 螺钉 | SCREW | 0 | 1 |
| 5 | 10042466 | 轴承 | BEARING | 0 | 1 |
| 6 | 10042440 | 螺钉 | SCREW | 0 | 2 |
| 7 | 10050544 | 直驱马达 | DIRECT DRIVE MOTOR ASSEMBLY | 0 | 1 |
| 8 | 10044437 | 螺钉 | SCREW | 0 | 4 |
| 9 | 10042387 | 螺钉 | SCREW | 0 | 4 |
| 10 | 10044438 | 电机罩 | MOTOR COVER | 0 | 1 |
| 11 | 10042437 | 联轴器定位螺钉 | SCREW | 0 | 1 |
| 12 | 10050577 | 电机联轴器 | MOTOR COUPLING | 0 | 1 |
| 13 | 10042437 | 螺钉 | SCREW | 0 | 1 |
| 14 | 10050659 | 联轴器组件 | COUPLING | 0 | 1 |
| 15 | 10042439 | 压紧圈 | CLAMPING RING | 0 | 1 |
| 16 | 10050545 | 转接板 | EXCHANGE BOARD | 0 | 1 |

2.23 C5000专用件 C5000 SPECIFIC PARTS

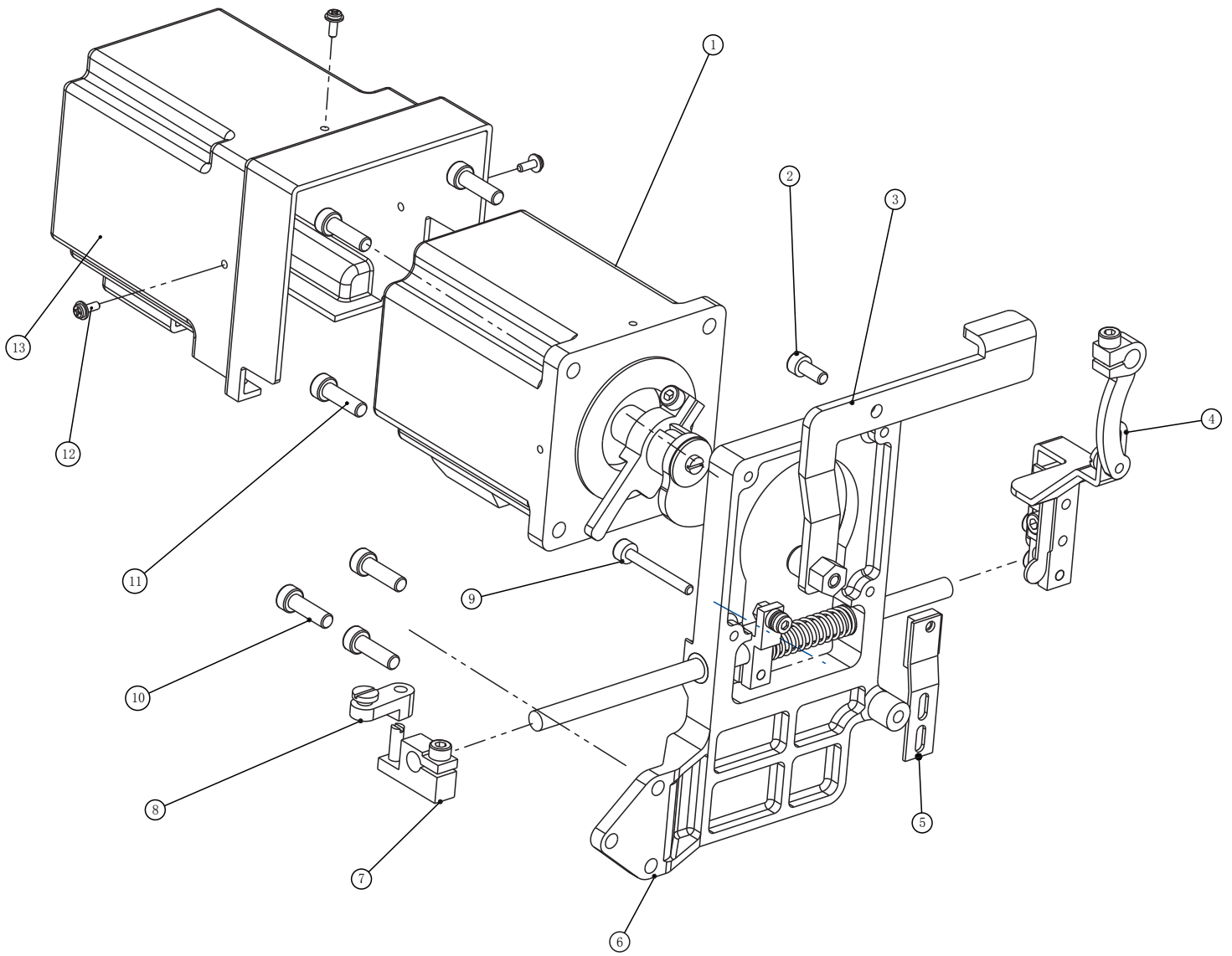


2.23 C5000专用件

C5000 SPECIFIC PARTS

| 序号 PEF NO | 件号 PART NO | 名称 | DESCRIPTION | 数量QTY |
|--------------|---------------|----------|---------------------------|-------|
| 1 | 10062054 | 面板装饰牌 | DECK PLATE | 1 |
| 2 | 20023635 | 面板C5 | PANEL | 1 |
| 3 | 10062322 | 面板密封垫 | GASKET | 1 |
| 4 | 10062279 | 针杆防护罩 | SHIELD | 1 |
| 5 | 10062280 | 针杆打线架 | PIN RACK | 1 |
| 6 | 10011264 | 螺钉 | SCREW | 3 |
| 7 | 10011099 | 橡胶塞 | RUBBER PLUG | 1 |
| 8 | 10008938 | 油窗 | OIL WINDOW | 1 |
| 9 | 10008939 | O形圈 | OIL RING | 1 |
| 10 | 20023743 | 上盖板组件 | UPPER COVER PLATE | 1 |
| 11 | 10062290 | 装饰条上段 | PLATE | 1 |
| 12 | 20023642 | 左罩板组件C5 | SUDE COVER ASSEMBLY | 1 |
| 13 | 10062624 | 左侧罩限位簧 | THE LIMIT REED | 1 |
| 14 | 10010837 | 螺钉 | SCREW | 1 |
| 15 | 10042420 | 螺钉 | SCREW | 1 |
| 16 | 10062282 | 面线过线板 | A LINE BOARD | 1 |
| 17 | 10042913 | 波形垫圈 | THE WAVE WASHER | 1 |
| 18 | 10062284 | 护眼板支架 | EYE GUARD | 1 |
| 19 | 10042406 | 螺钉 | SCREW | 2 |
| 20 | 10042407 | 垫圈 | WASHER | 2 |
| 21 | 10042405 | 防护罩 | SHIELD | 1 |
| 22 | 10042410 | 螺钉 | SCREW | 1 |
| 23 | 10062285 | 装饰线下过线板 | A LINE BOARD | 1 |
| 24 | 10042287 | 绷线过线板 | THREAD GUIDE | 1 |
| 25 | 10062286 | 装饰线过线架 | A LINE BOARD | 1 |
| 26 | 10062289 | 装饰板 | PLATE | 1 |
| 27 | 10062291 | 装饰条下段 | PLATE | 1 |
| 28 | 10062292 | 底线过线防护罩 | LOOPER THREAD GUIDE COVER | 1 |
| 29 | 10059839 | 底线过线板 | THEAD GUIDE | 1 |
| 30 | 20023740 | 手轮C5 | HAND WHEEL | 1 |
| 31 | 20023643 | 穿线罩板组件C5 | FRONT COVER | 1 |
| 32 | 10062295 | 下轴后节 | SHAFT | 1 |
| 33 | 10062614 | C5琦星电控 | ELECTRIC CONTROL | 1 |
| 34 | 10006115 | 垫圈 | WASHER | 5 |
| 35 | 10001497 | 螺钉 | SCREW | 5 |

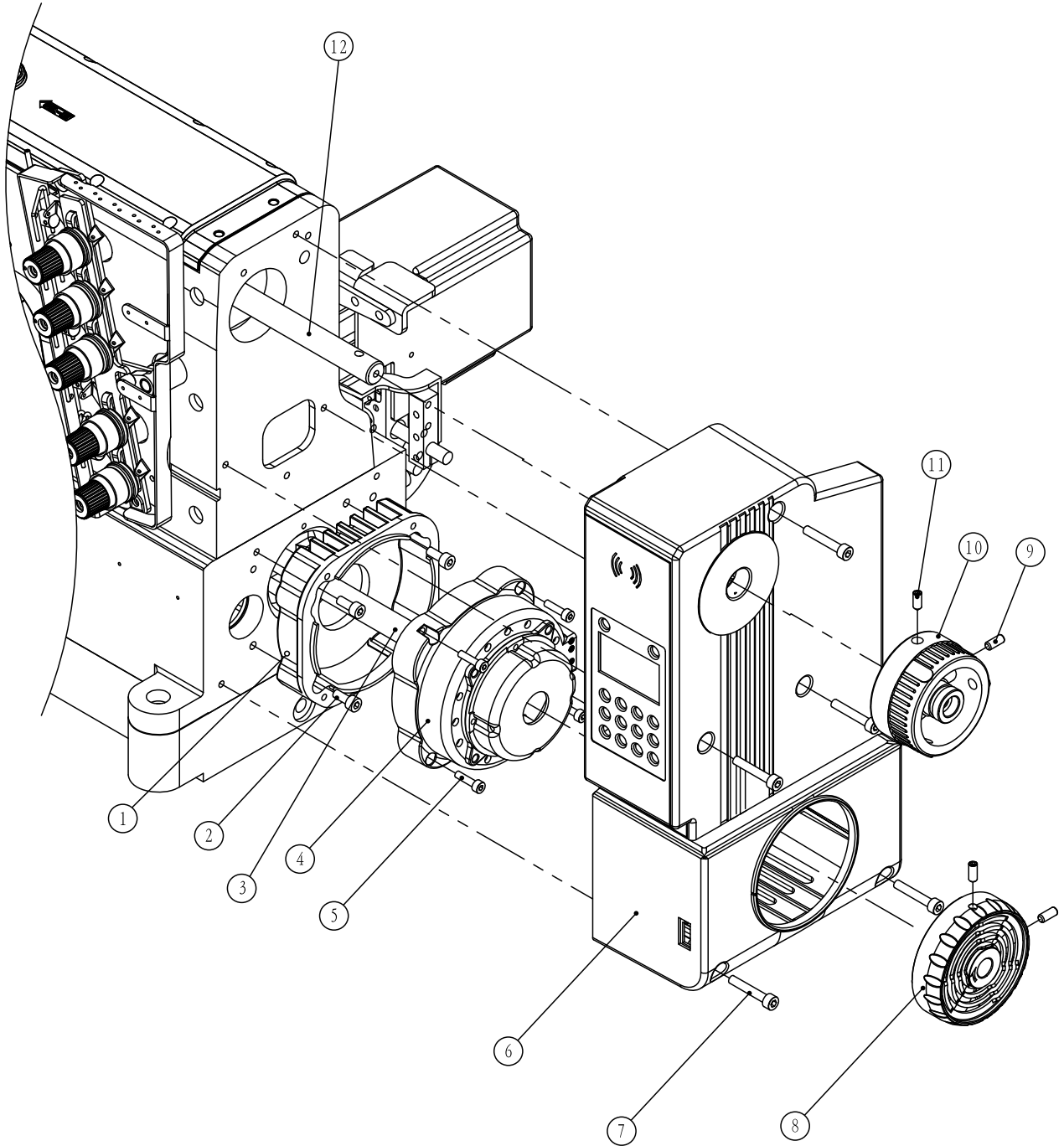
2.24 步进剪线机构 THREAD CUTTING MECHANISM



2.24 步进剪线机构 THREAD CUTTING MECHANISM

| 序号 PEF NO | 件号 PART NO | 名称 | DESCRIPTION | 数量 QTY |
|--------------|---------------|---------------|----------------------------|--------|
| 1 | 10073145 | 电机小总成 | MOTOR ASSEMBLY | 1 |
| 2 | 10014210 | 内六角螺栓 (M5×12) | SOCKET HEAD CAP SCREW | 1 |
| 3 | 10073146 | 抬压脚驱动杆组件 | PRESSER FOOT LIFTING DRIVE | 1 |
| 4 | 10073147 | 松线组件 | TENSION RELEASE MECHANISM | 1 |
| 5 | 10073148 | 霍尔组件 | HALL ELEMENT | 1 |
| 6 | 10073149 | 铝基座组件 | BASE ASSEMBLY | 1 |
| 7 | 10073150 | 剪线连接座 | PEDESTAL | 1 |
| 8 | 10073151 | 剪线连接杆 | CONNECTING ROD | 1 |
| 9 | 10073152 | 内六角螺栓 (M4×36) | SOCKET HEAD CAP SCREW | 1 |
| 10 | 10008982 | 内六角螺栓 (M6×16) | SOCKET HEAD CAP SCREW | 4 |
| 11 | 10010997 | 内六角螺栓 (M6×20) | SOCKET HEAD CAP SCREW | 3 |
| 12 | 10073153 | 十字螺钉组件 | SCREW ASSEMBLY | 3 |
| 13 | 10073154 | 电机塑壳外罩 | MOTOR COVER | 1 |



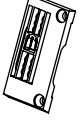
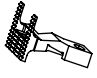



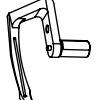

2.25 步进电控部件 ELECTRIC CONTROL PARTS



2.25 步进电控部件 ELECTRIC CONTROL PARTS

| 序号 PEF NO | 件 号 PART NO | 名 称 | DESCRIPTION | 数量 QTY |
|--------------|----------------|------------|---------------------------|--------|
| 1 | 10070396 | 转接板 | EXCHANGE BOARD | 1 |
| 2 | 10003162 | 螺钉 (M5×12) | SCREW | 4 |
| 3 | 10070342 | 下轴后节 | SHAFT | 1 |
| 4 | 10070400 | 马达 | MOTOR | 1 |
| 5 | 10003107 | 螺钉 (M4×16) | SCREW | 4 |
| 6 | 10070402 | 电控组件 | ELECTRIC CONTROL ASSEMBLY | 1 |
| 7 | 10003100 | 螺钉 (M5×35) | SCREW | 5 |
| 8 | 20023740 | 下手轮 | HAND WHEEL | 1 |
| 9 | 10042442 | 从动轮紧定螺钉 | SCREW | 2 |
| 10 | 20028332 | 上手轮 | HAND WHEEL | 1 |
| 11 | 10042443 | 从动轮定位螺钉 | SCREW | 2 |
| 12 | 10070378 | 上轴后节 | SHAFT | 1 |

2.26 针位互换清单 GAUGE PARTS LIST

| CONVERSION CHART | | | | | | | | | | |
|------------------|-----------|---|---|---|---|--|---|---|---|---|
| 规格件表 | |  |  |  |  |  |  |  |  |  |
| MODEL | SUB-CLASS | NEEDLE CLAMP | NEEDLE PLATE | MAINFEED DOG | KIFF. FEED DOG | PRESSER FOOT | SPREADER | LOOPER | NEEDLE | 针号 |
| 机型 | 规格 | 针夹螺钉组件 | 针板 | 主送料牙 | 差动送料牙 | 压脚 | 绷针 | 弯针 | | 针号 |
| C5000-356 | 356 | 10053102 | 10056804 | 10042550 | 10042553 | 10042214 | 10043140 | 10043133 | UY128GAS 11# | UY128GAS 14# |
| C5000-364 | 364 | 10053103 | 10056805 | 10042550 | 10042553 | 10043128 | | | | |
| C5000-G-356 | 356 | 10053102 | 10042868 | 10042869 | 10042870 | 10046045 | | | | |
| C5000-G-364 | 364 | 10053103 | 10043052 | 10042869 | 10042870 | 10045988 | | | | |
| C5000L-356 | 356 | 10053102 | 10047317 | 10047315 | 10044450 | 10042214 | | | | |
| C5000L-G-356 | 356 | 10053102 | 10044466 | 10044469 | 10044470 | 10046045 | | | | |
| | | | | | | | | | | |
| | | | | | | | | | | |
| | | | | | | | | | | |
| | | | | | | | | | | |
| | | | | | | | | | | |
| | | | | | | | | | | |
| | | | | | | | | | | |
| | | | | | | | | | | |
| | | | | | | | | | | |
| | | | | | | | | | | |
| | | | | | | | | | | |
| | | | | | | | | | | |
| | | | | | | | | | | |
| | | | | | | | | | | |
| | | | | | | | | | | |
| | | | | | | | | | | |